

Fakra HFR3C – Straight Male Housing

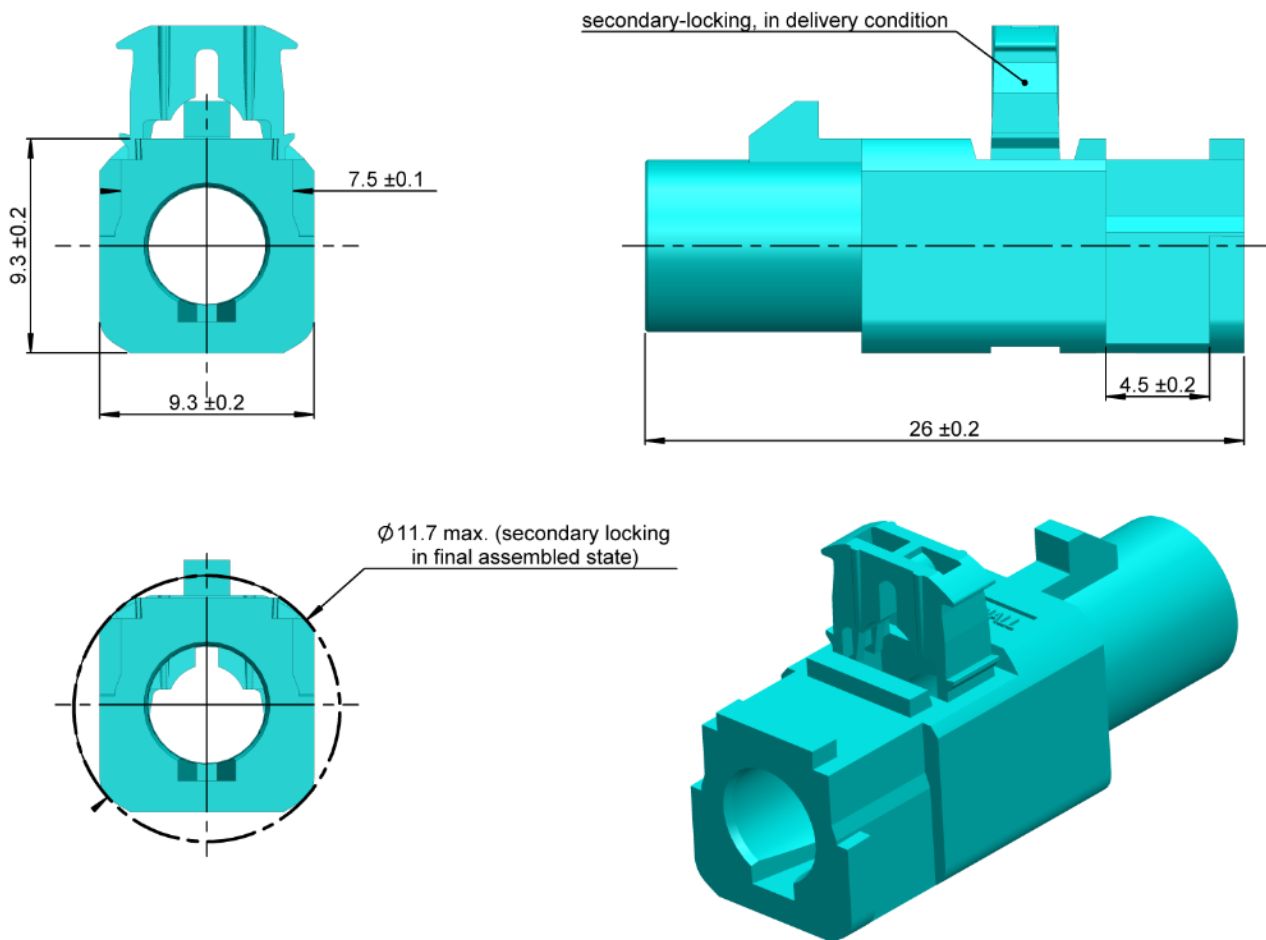
Cable type **RG174** (2.6/50) & **RTK** (3.2/50)



R197.136._80

TECHNICAL DATA SHEET

Rev	Date	Edited	Approved	Validated	Modification
1	14/03/2018	C.Chavanne	Y.Gay	R.Chantre	Creation



All dimensions are in mm

COMPONENTS	MATERIALS	UL CLASSIFICATION	COLOR
Housing	Polyamide	UL 94 V-2	See page 2

Fakra HFR3C – Straight Male Housing

Cable type **RG174** (2.6/50) & **RTK** (3.2/50)



R197.136._80

TECHNICAL DATA SHEET

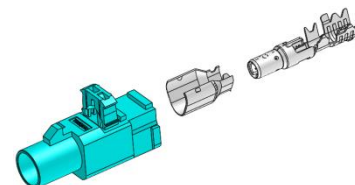
Interface

According to ISO 20860-1

Application

This housing is part of an assembly to create a complete HFR3C connector. It has to be assembled with a terminal and a ferrule.

Refer to **AI_HFR3C** to get the corresponding P/N.



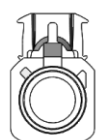
Codings

To obtain the complete part number, please fill in the blank “_” with the coding letter.



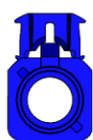
A

Black
9005



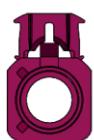
B

Crème White
9001



C

Blue
5005



D

Bordeaux
4004



E

Green
6002



F

Brown
8011



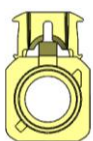
G

Grey
7031



H

Violet
4003



I

Beige
1001



K

Curry
1027



L

Carmin
3002



M

Pastel Orange
2003



N

Pastel Green
6019



Z

Water blue
5021

Net weight: 1.16g

Storage condition & Shelf Life

Boxes should be stored indoors, in its original packaging (box + plastic bag), in a controlled climate environment not exceeding -20°C/+40°C and maximum 70% relative humidity. The boxes should be protected from direct sunlight and should be used on a "first-in, first-out" basis.

It is recommended to use this reference within 1 year from the date of manufacture when stored according the recommended storage condition.

Product Handling

Care must be taken when handling the carton boxes of housings. They must not fall. Indeed it might unwillingly activate the secondary locking, which makes the housing un-usable.

Fakra HFR3C – Straight Male Housing

Cable type **RG174** (2.6/50) & **RTK** (3.2/50)



R197.136._80

TECHNICAL DATA SHEET

Packaging: 1 welding plastic bag inside cardboard box

Number of housings / box: 3800 pcs



Carton box

Dimensions: 40 x 30 x 20 cm

Weight: ≈ 4.5 kg



Plastic bag