

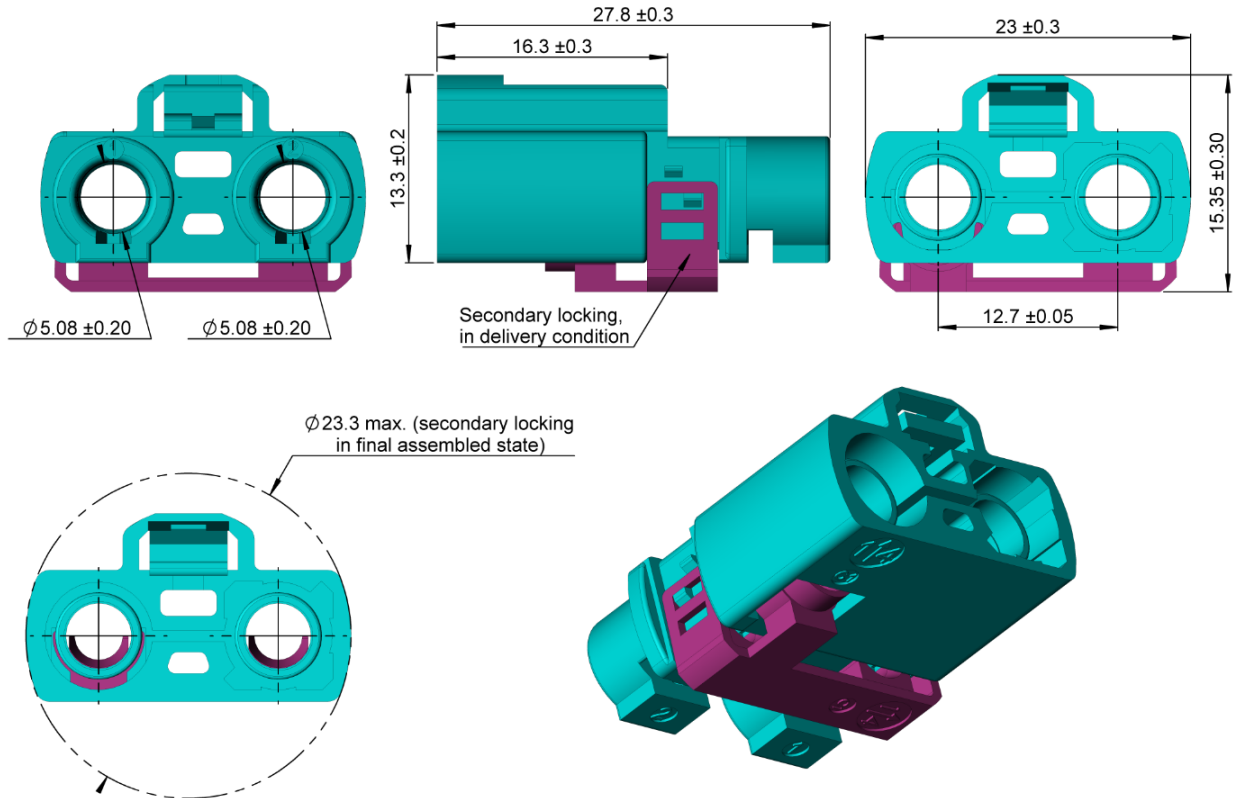
Fakra HFR3C – 12.7mm Duplex Female Housing
 Cable type **RG174** (2.6/50) & **RTK** (3.2/50)



R197.216._90

TECHNICAL DATA SHEET

Rev	Date	Edited	Approved	Validated	Modification
1	14/03/2018	C.Chavanne	Y.Gay	R.Chantre	Creation



All dimensions are in mm

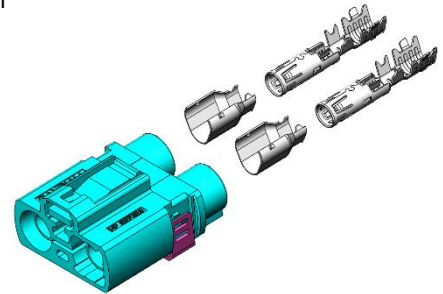
COMPONENTS	MATERIALS	UL CLASSIFICATION	COLOR
Housing	Polyamide	UL 94 V-2	See page 2
Secondary locking	Polyamide	UL 94 V-2	Purple

Interface

According to ISO 20860-1

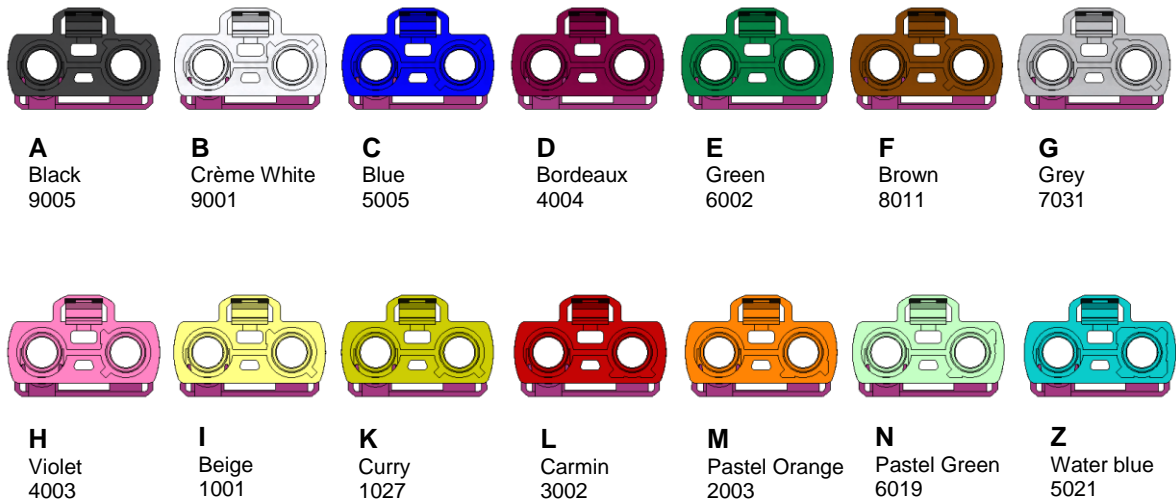
Application

This housing is part of an assembly to create a complete HFR3C connector. It has to be assembled with a terminal and a ferrule.
 Refer to **AI_HFR3C** to get the corresponding P/N.



Codings

To obtain the complete part number, please fill in the blank “_” with the coding letter.



Net Weight: 3.86g

Storage condition & Shelf Life

Boxes should be stored indoors, in its original packaging (box + plastic bag), in a controlled climate environment not exceeding -20°C/+40°C and maximum 70% relative humidity. The boxes should be protected from direct sunlight and should be used on a "first-in, first-out" basis.

It is recommended to use this reference within 1 year from the date of manufacture when stored according the recommended storage condition.

Product Handling

Care must be taken when handling the carton boxes of housings. They must not fall. Indeed it might unwillingly activate the secondary locking, which makes the housing un-usable.

Fakra HFR3C – 12.7mm Duplex Female Housing
Cable type **RG174** (2.6/50) & **RTK** (3.2/50)



R197.216._90

TECHNICAL DATA SHEET

Packaging: Cardboard box

44 small boxes inside 1 cardboard box with following characteristics:

- Dimensions: 35x40x40 cm
- Weight: ≈ 18 kg

Total Number of housings / cardboard box: 3840 pcs



Inside the Cardboard box: 44 small boxes