

Fakra HFR3C – Straight Ferule

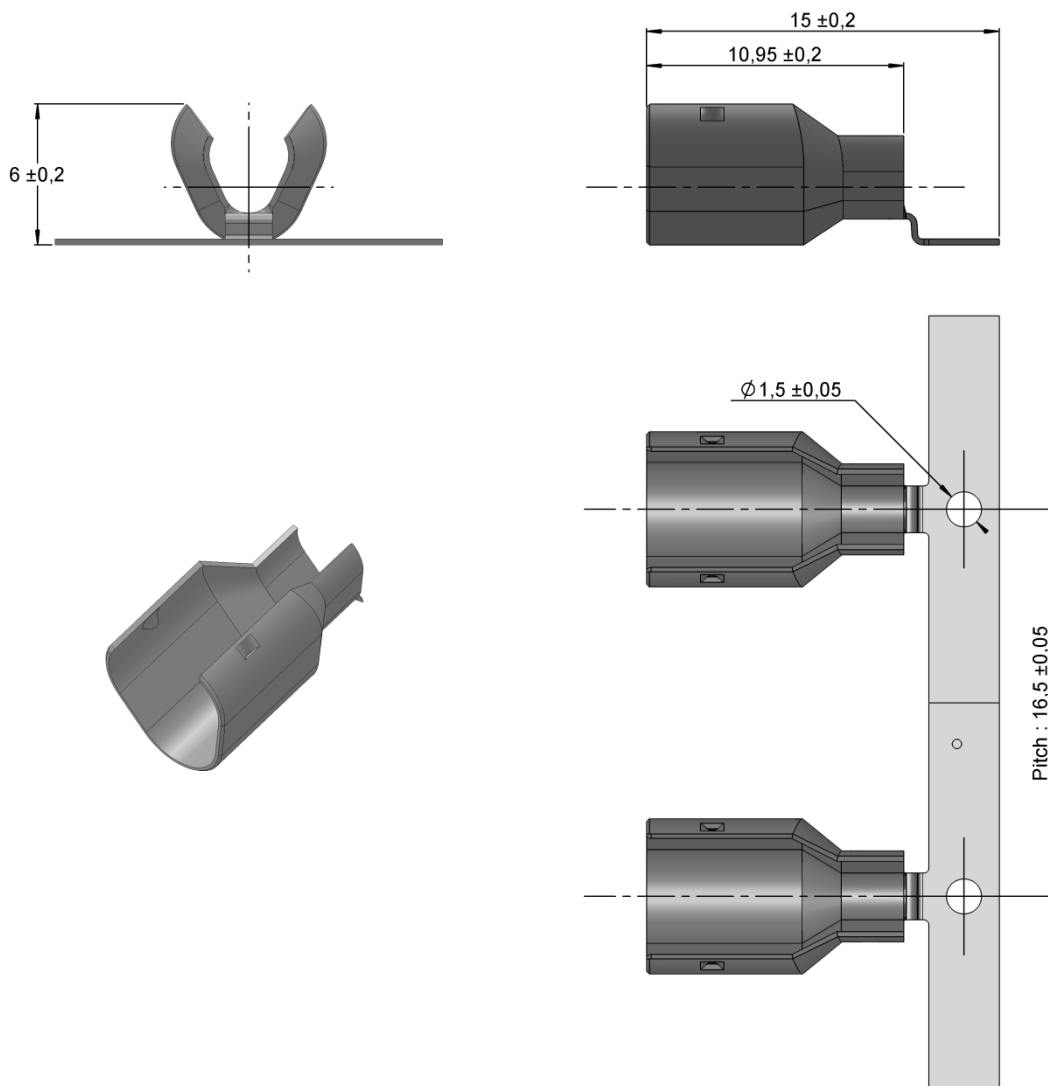
Cable type RG174 (2.6/50)



R280.197.174

TECHNICAL DATA SHEET

Rev	Date	Edited	Approved	Validated	Modification
1	14/03/2018	C.Chavanne	Y.Gay	R.Chantre	Creation



All dimensions are in mm

COMPONENTS	MATERIALS	PLATING
Ferrule	Brass	Tin 3 over nickel 1

Fakra HFR3C – Straight Ferule

Cable type RG174 (2.6/50)



R280.197.174

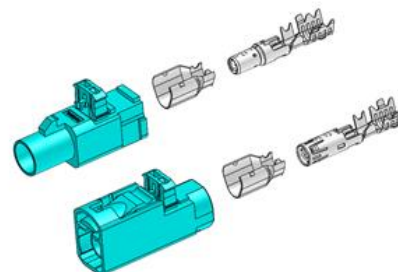
TECHNICAL DATA SHEET

Application

This ferrule is part of an assembly to create a complete HFR3C connector. It has to be assembled with a terminal and a housing.

Refer to **AI_HFR3C** to get the corresponding P/N

Refer to **CS_HFR3C** to get the crimping instructions



Net weight: 0.32g

Storage condition & Shelf Life

Reel of ferrule should be stored indoors, in its original packaging (box + plastic bag), in a controlled climate environment not exceeding $-20^{\circ}\text{C}/+40^{\circ}\text{C}$ and maximum 70% relative humidity. The reels should be protected from direct sunlight and should be used on a "first-in, first-out" basis.

It is recommended that connector be used within 1 year from the date of reception, when stored according to the recommended storage condition.

Product Handling

Care must be taken when handling the reels of ferrules during all stages of production. Especially, the reels should not be damaged. It could cause troubles during the ferrule crimping operation.

Fakra HFR3C – Straight Ferule

Cable type RG174 (2.6/50)

RAYDIALL
AUTOMOTIVE

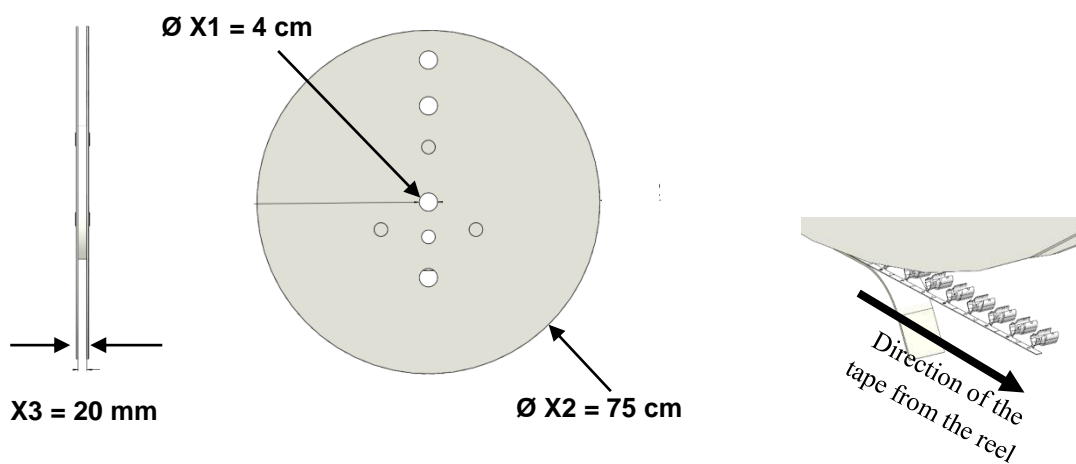
R280.197.174

TECHNICAL DATA SHEET

Packaging

Primary packaging Polypropylene reel

- Reel Weight \approx 1.2 kg
- Number of pieces by reel: $3600 \pm 2\%$.



Secondary packaging: Pallet

- Size: 80x80x90 cm
- Weight \approx 81kg
- 1 pallet contains 23 Ferrule Polypropylene reels.
- Number of pieces per pallet = 82 800 pcs

