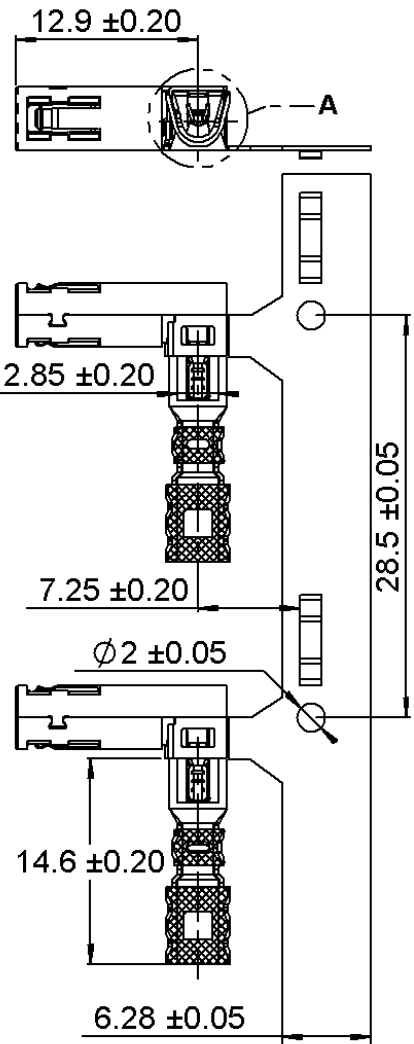
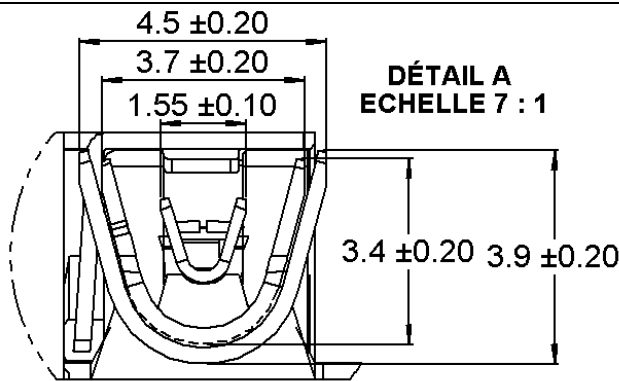
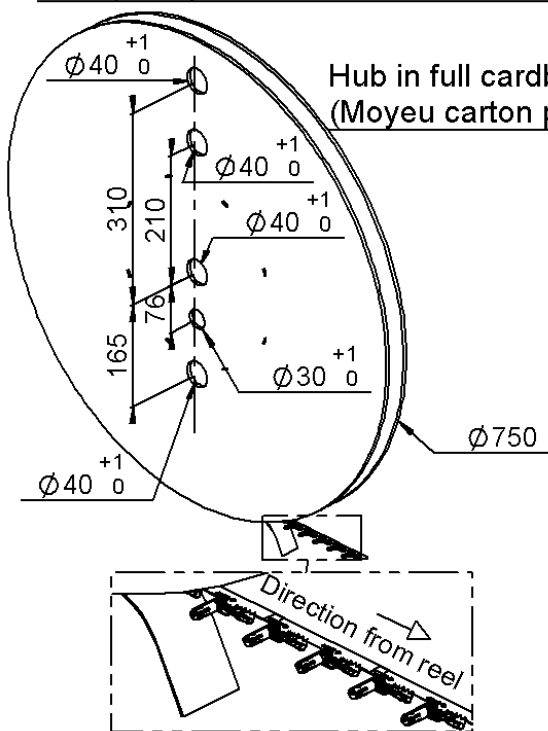


R/A R3C FEMALE COAX CAB 2.6/50
CONDITIONNEMENT BOBINE 2000

R299.197.600
STANDARD CABLE



Reel sides in cardboard double corrugation thick: 6±1
 (Flasques carton double cannelure ep: 6±1)



28 ⁺³/₀
 THIS COAX CAN BE USED WITH HOUSING R197.125._80 (replace the _ by the coding letter)

All dimensions are in mm.

COMPONENTS	MATERIALS	
PLATING (µm)		
BODY	BRONZE	TIN 3 OVER NICKEL 2
CENTER CONTACT	BRONZE	SELECTIVE GOLD+ SELECTIVE TIN
OUTER CONTACT	-	
INSULATOR	POLYMER	
	UL CLASSIFICATION	COLOR
	UL94-V0	NATURAL

Standard Packaging : 2000+/-2%*

* Nota : possibility of having a maximum of five missing parts consecutively on the tape

Issue : 1408 C

In the effort to improve our products, we reserve the right to make changes judged to be necessary.



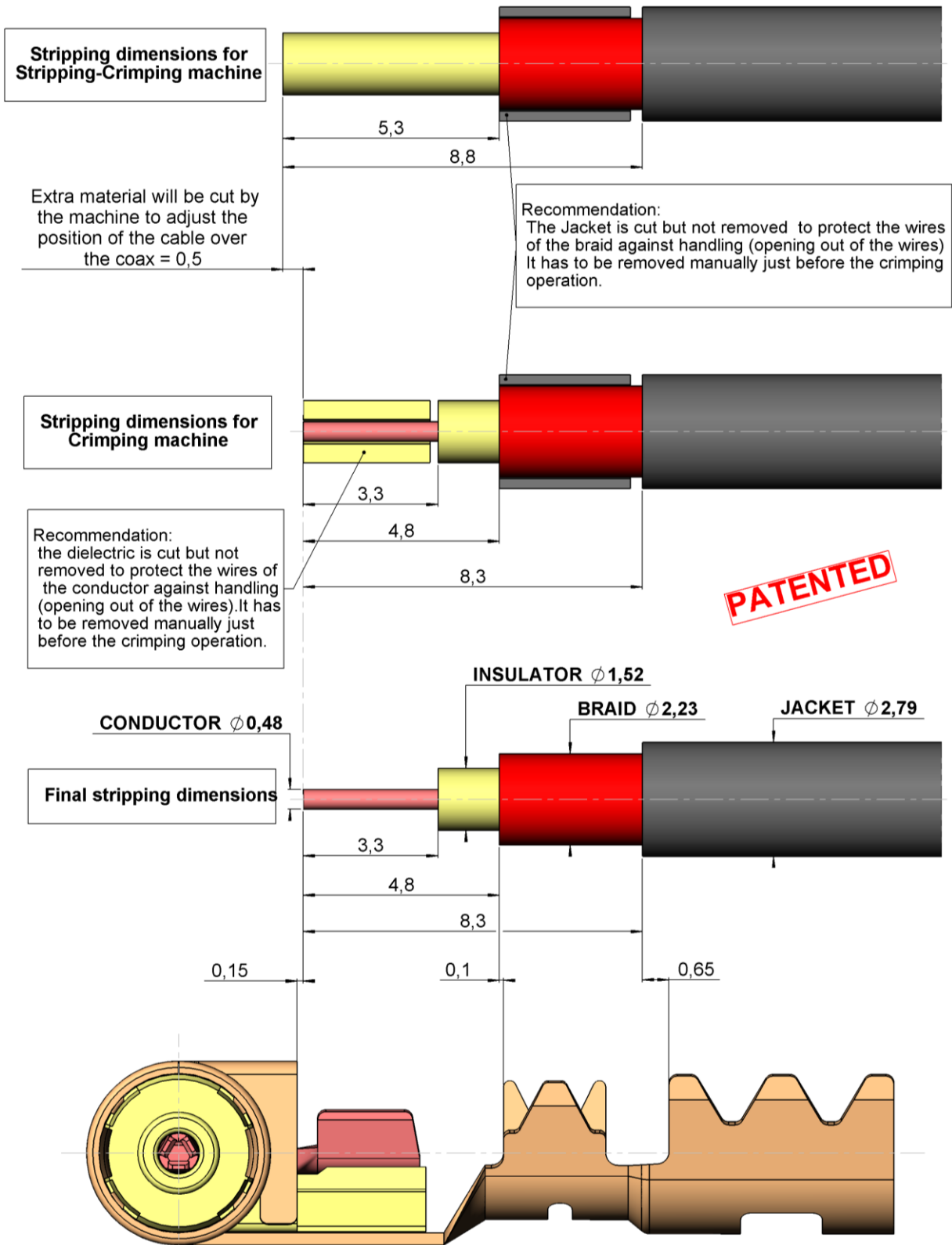
R/A R3C FEMALE COAX CAB 2.6/50

R299.197.600

CONDITIONNEMENT BOBINE 2000

STANDARD CABLE

Recommended stripping dimensions of the RG174 cable for right angle R3C female R299.197.600



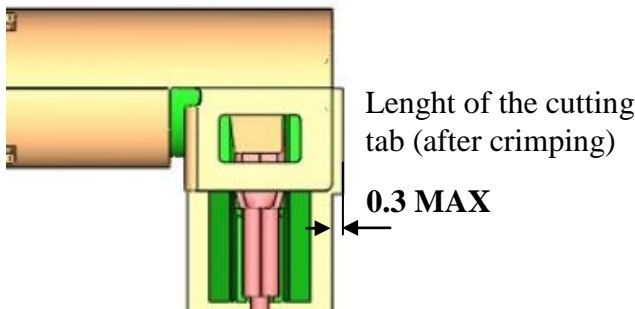
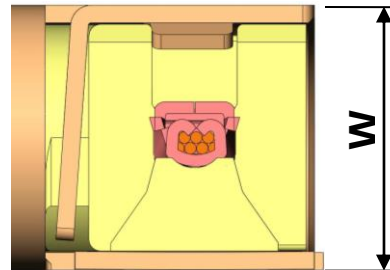
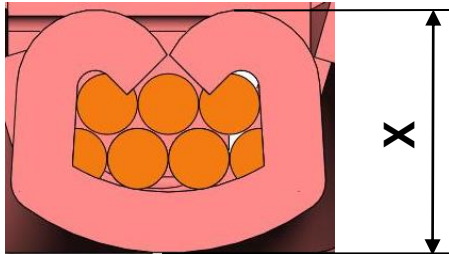
Issue : 1408 C

In the effort to improve our products, we reserve the right to make changes judged to be necessary.

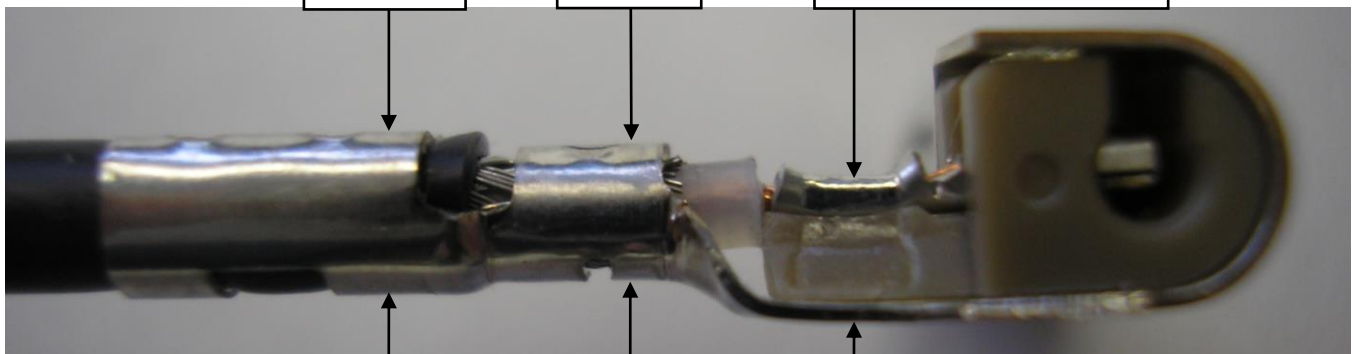
R/A R3C FEMALE COAX CAB 2.6/50
 CONDITIONNEMENT BOBINE 2000

R299.197.600
 STANDARD CABLE

crimping height **				
Conductor type	conductor/body W	Conductor X	braid Y	jacket Z
Stranded	2.32±0.05	0.78±0.05	2.32±0.05	2.8±0.04



Jacket Z Braid Y Conductor/body W



Measure on the first teeth Measure in this area because of the bottom hole Measure on the middle of the contact

**** CAUTION**

-Before using applicator, make sure the press is calibrated :135,8 mm from the lower dead point up to the base

-Crimping height may change depending on the manufacturer of the cable, for more informations please contact us

-We recommend to make electrical test after each set up of the applicator:

Outer and center contact continuity+Dielectric withstanding voltage 800Vrms, 50Hz

Insulation resistance 1000 Mohms

Cable retention = 110Newton mini during 5 seconds with electrical continuity

Issue : 1408 C

In the effort to improve our products, we reserve the right to make changes judged to be necessary.

