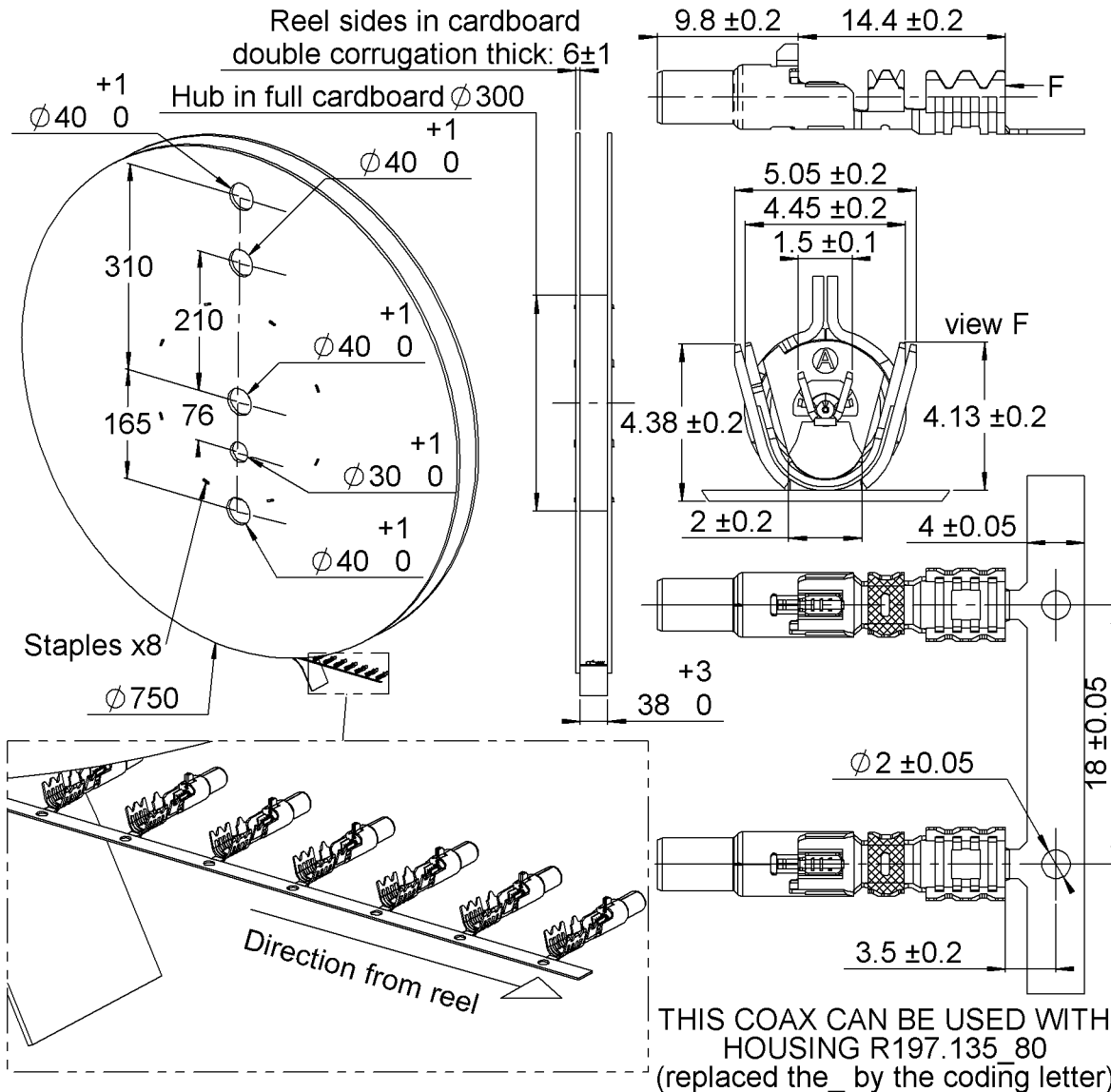


**R3C MALE COAX CAB 3.2/50**  
**CONDITIONNEMENT 3000**

**R299.197.010**  
**STANDARD CABLE**



All dimensions are in mm.

COMPONENTS	MATERIALS	PLATING (µm)
BODY	BRONZE	TIN 3 OVER NICKEL 2
CENTER CONTACT	BRONZE	SELECTIVE GOLD+ SELECTIVE TIN
OUTER CONTACT	-	-
INSULATOR	POLYMER	UL CLASSIFICATION
	-	UL94-V0
	-	COLOR
	-	NATURAL

**Standard Packaging : 3000+/-2%\***

\* Nota : possibility of having a maximum of five missing parts consecutively on the tape

Issue : 1408 B

In the effort to improve our products, we reserve the right to make changes judged to be necessary.



R3C MALE COAX CAB 3.2/50

CONDITIONNEMENT 3000

R299.197.010

STANDARD CABLE

**Recommended stripping dimensions of the RTK cable for R3C male R299.197.010**

**Stripping dimensions for Stripping-Crimping machine**

Extra material will be cut by the machine to adjust the position of the cable over the coax = 0.5

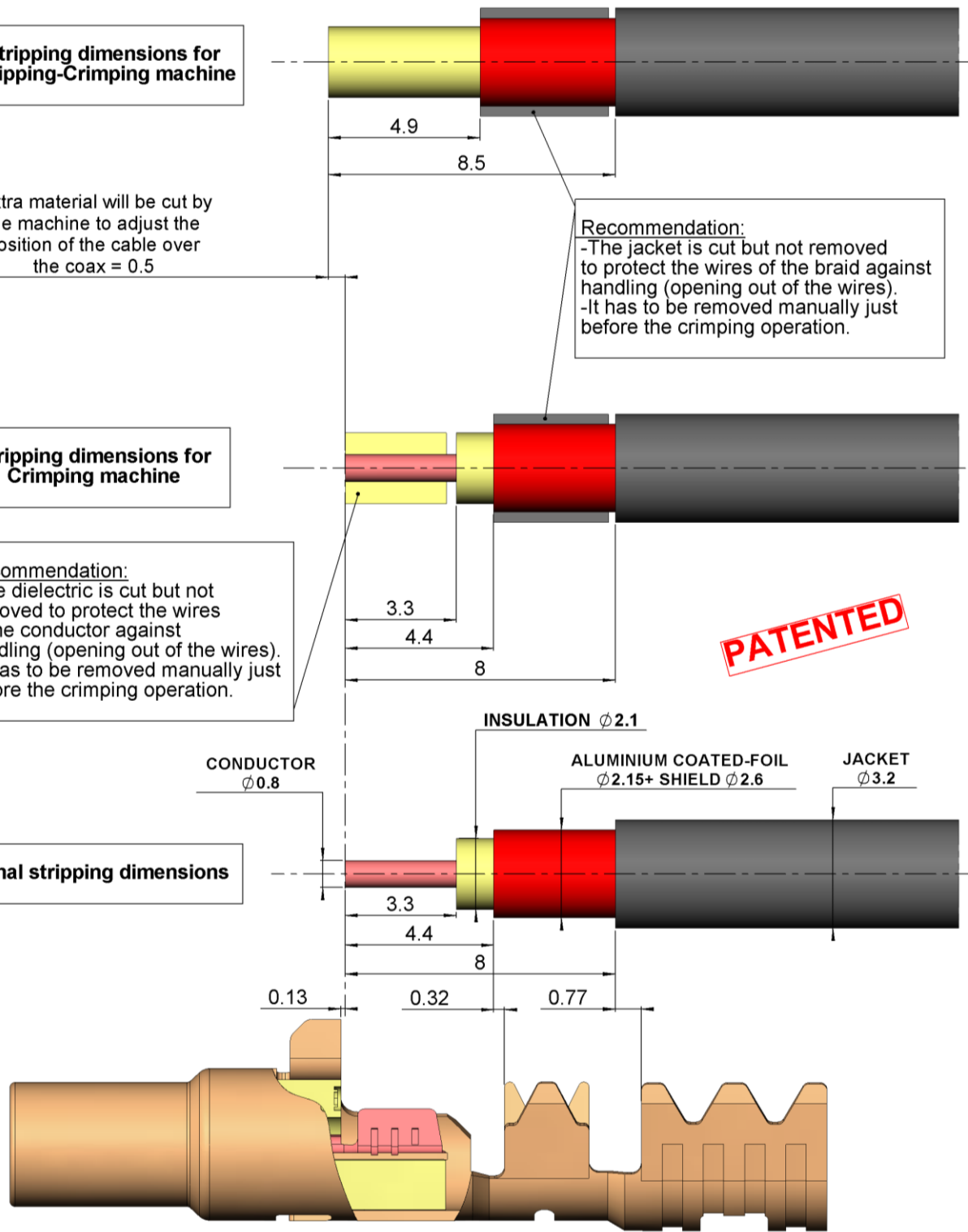
**Recommendation:**  
 -The jacket is cut but not removed to protect the wires of the braid against handling (opening out of the wires).  
 -It has to be removed manually just before the crimping operation.

**Stripping dimensions for Crimping machine**

**Recommendation:**  
 -The dielectric is cut but not removed to protect the wires of the conductor against handling (opening out of the wires).  
 -It has to be removed manually just before the crimping operation.

**PATENTED**

**Final stripping dimensions**



Issue : 1408 B

In the effort to improve our products, we reserve the right to make changes judged to be necessary.



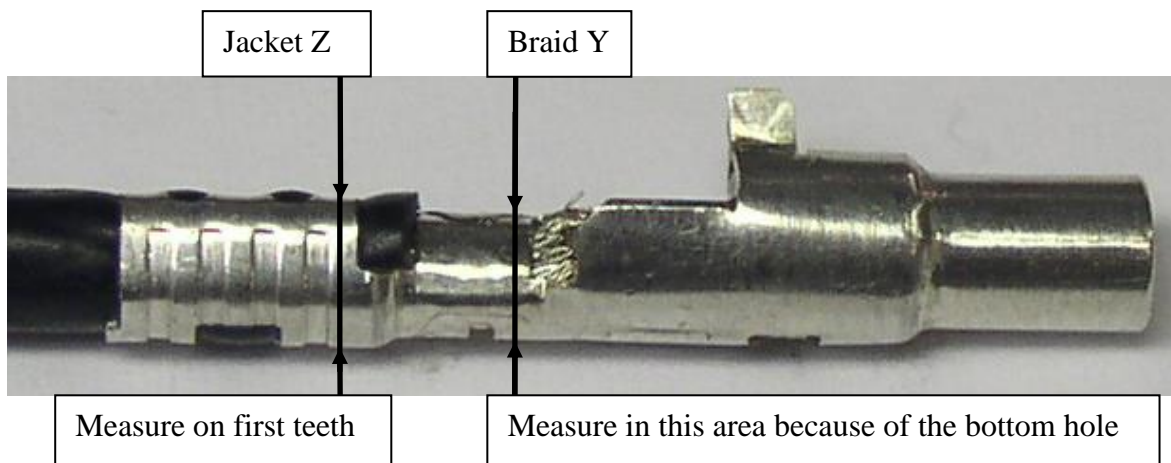
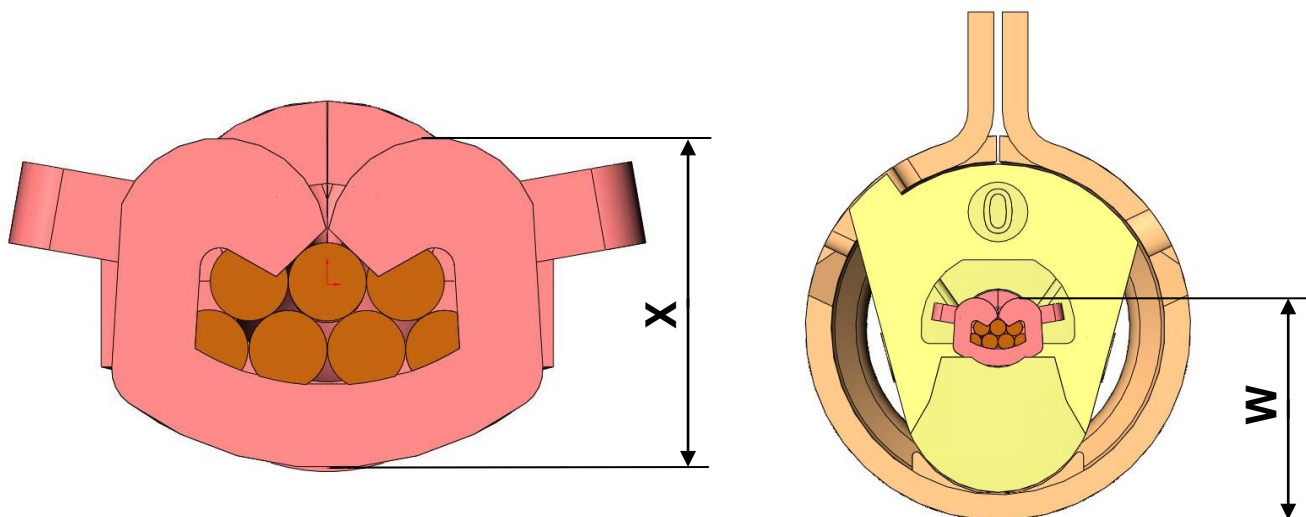
**R3C MALE COAX CAB 3.2/50**

**CONDITIONNEMENT 3000**

**R299.197.010**

**STANDARD CABLE**

crimping height **				
Conductor type	conductor/body W	Conductor X	braid Y	jacket Z
stranded	2.5±0.05	1±0.05	2.85±0.05	3.44±0.04



**\*\* CAUTION**

- Before using applicator, make sure the press is calibrated :135,8 mm from the lower dead point up to the base
- Crimping height may change depending on the manufacturer of the cable, for more informations please contact us
- We recommend to make electrical test after each set up of the applicator:
  - Outer and center contact continuity+Dielectric withstanding voltage 800Vrms, 50Hz
  - Insulation resistance 1000 Mohms
  - Cable retention = 110Newton mini during 5 seconds with electrical continuity

Issue : 1408 B

In the effort to improve our products, we reserve the right to make changes judged to be necessary.

