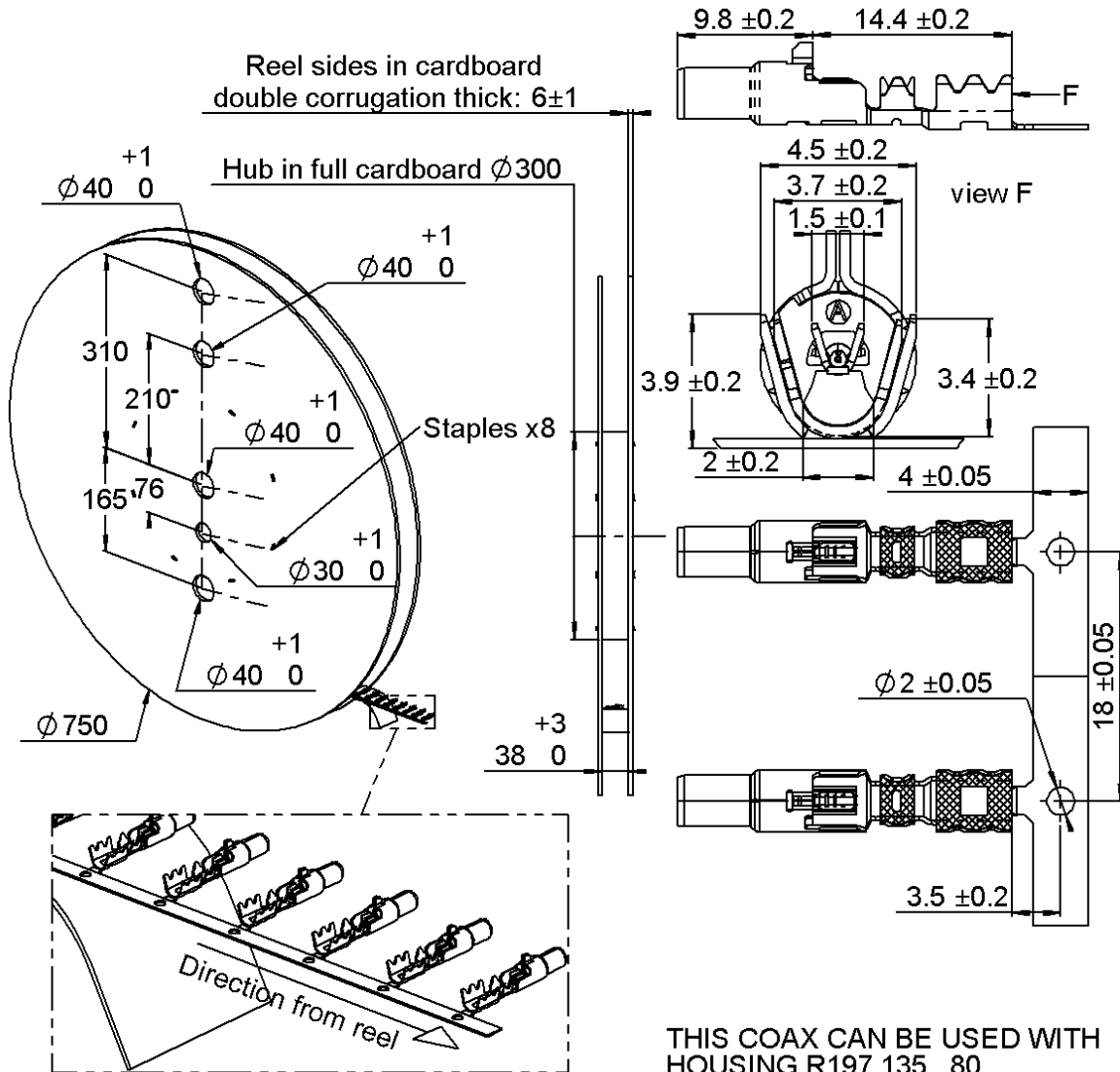


R3C MALE COAX CAB 2.6/50

PACKAGING REEL 3000

R299.197.000

STANDARD CABLE



THIS COAX CAN BE USED WITH HOUSING R197.135_80 (replaced the _ by the coding letter)

All dimensions are in mm.

COMPONENTS	MATERIALS	PLATING(μm)	
BODY	BRONZE	TIN 3 OVER NICKEL 2 SELECTIVE GOLD+ SELECTIVE TIN	
CENTER CONTACT	BRONZE		
OUTER CONTACT	-	UL CLASSIFICATION	
INSULATOR	POLYMER	COLOR	
		UL94-V0	NATURAL

Standard Packaging : 3000+/-2%*

* Nota : possibility of having a maximum of five missing parts consecutively on the tape

Issue : 1408 C

In the effort to improve our products, we reserve the right to make changes judged to be necessary.



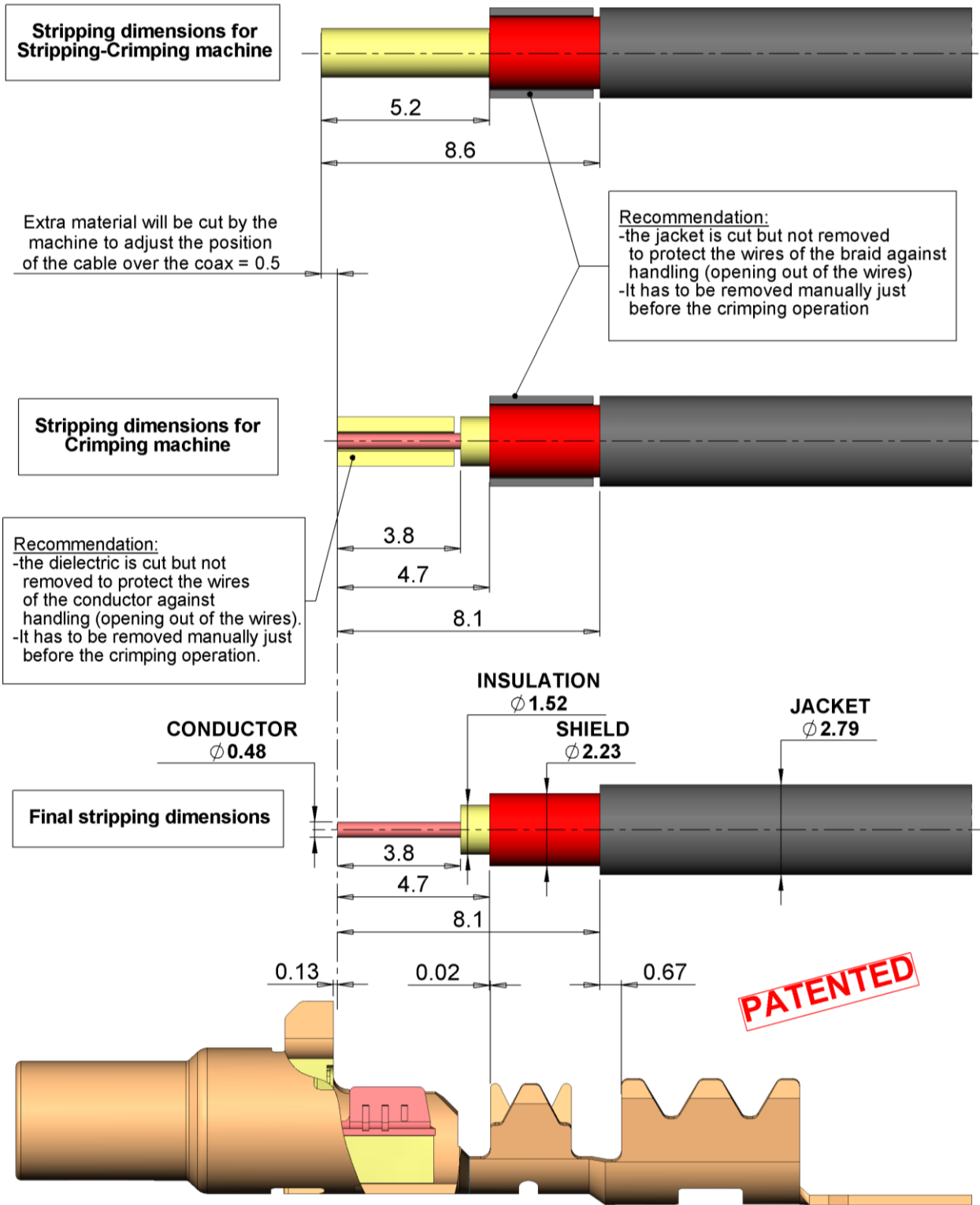
R3C MALE COAX CAB 2.6/50

R299.197.000

PACKAGING REEL 3000

STANDARD CABLE

Recommended stripping dimensions of the RG174 cable for R3C male R299.197.000



Issue : 1408 C

In the effort to improve our products, we reserve the right to make changes judged to be necessary.

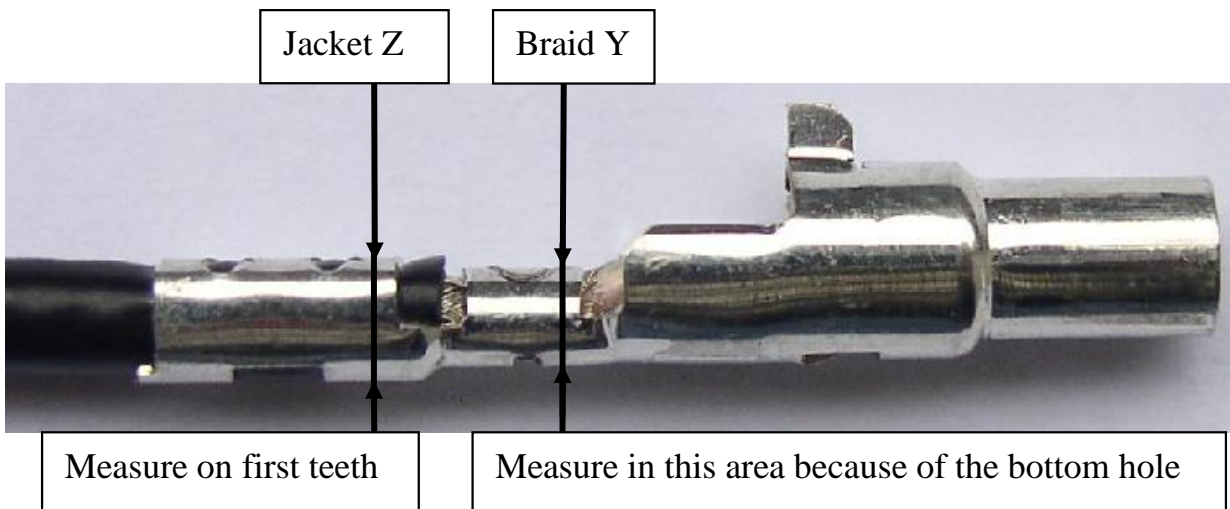
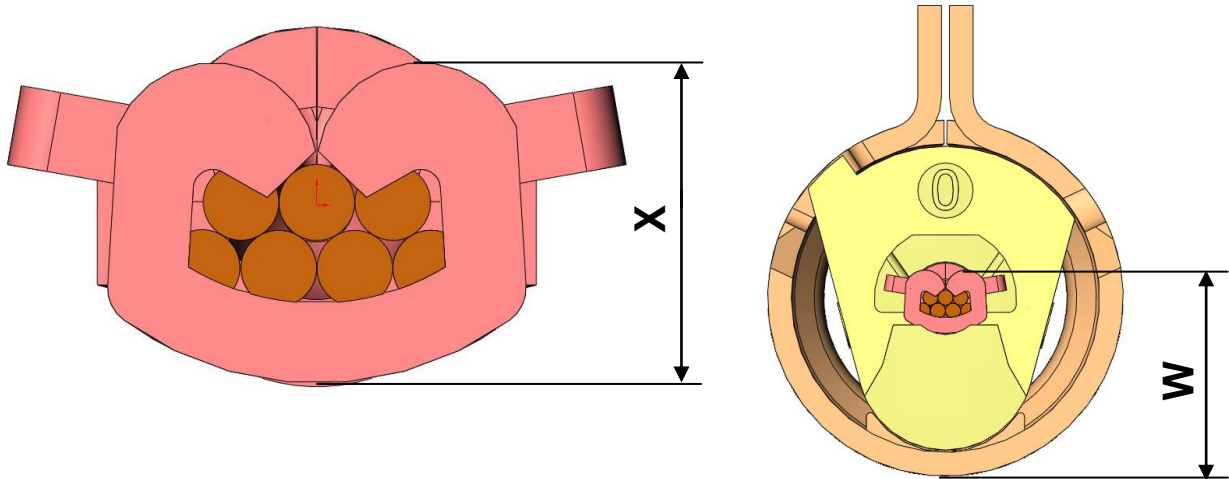
R3C MALE COAX CAB 2.6/50

PACKAGING REEL 3000

R299.197.000

STANDARD CABLE

crimping height **				
Conductor type	Conductor/body W	Conductor X	Braid Y	Jacket Z
Stranded	2.32±0.05	0.82±0.05	2.32±0.05	2.8 +0.1/-0.03



**** CAUTION**

-Before using applicator, make sure the press is calibrated :135.8 mm from the lower dead point up to the base

-Crimping height may change depending on the manufacturer of the cable, for more informations please contact us

-We recommend to make electrical test after each set up of the applicator:

Outer and center contact continuity+Dielectric withstanding voltage 800Vrms, 50Hz

Insulation resistance 1000 Mohms

Cable retention = 110Newton mini during 5 seconds with electrical continuity

Issue : 1408 C

In the effort to improve our products, we reserve the right to make changes judged to be necessary.

