

Fakra R3C 90 – Ferule

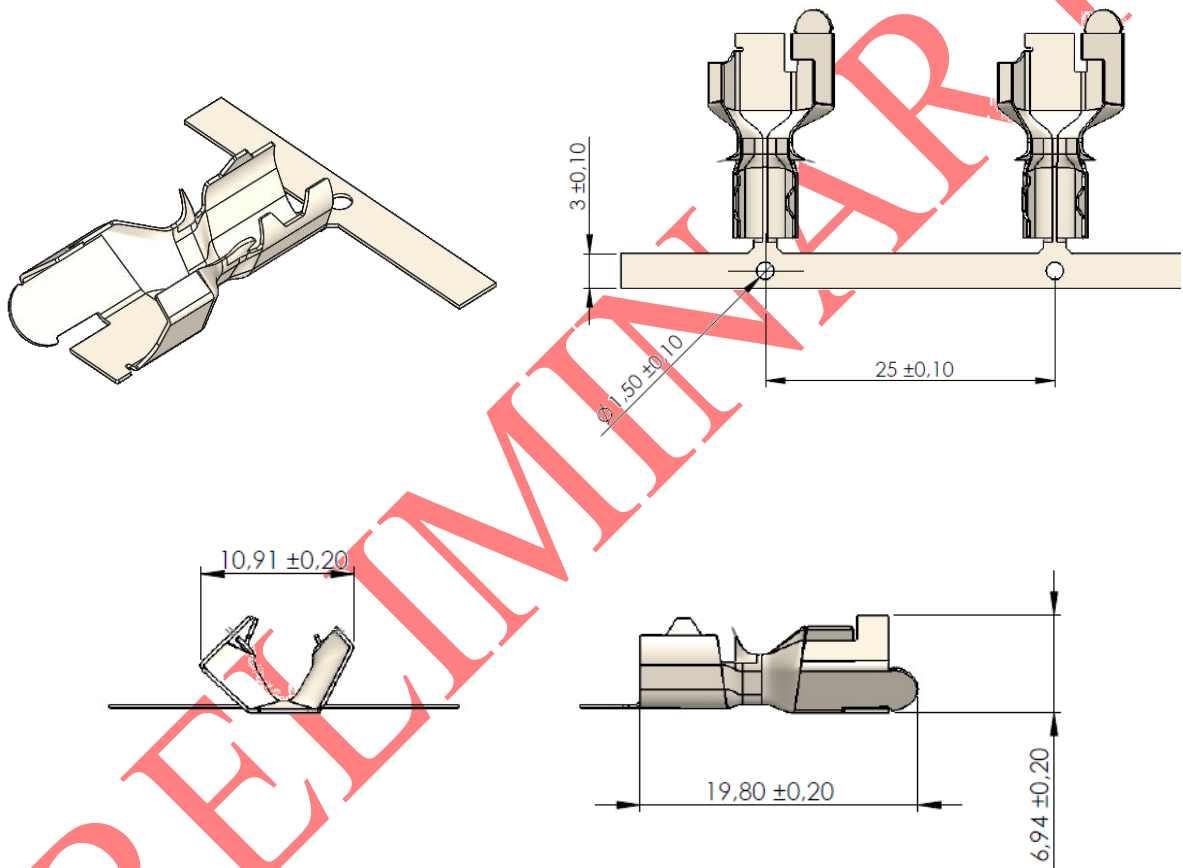
Cable type RG174 (2.6/50)



R280.197.274

TECHNICAL DATA SHEET

Rev	Date	Edited	Approved	Validated	Modification
1	04/06/2018	T MBUYI			Creation
2	01/10/2018	T MBUYI			Model update
3	18/03/2020	R DUPREZ			Update dimensions



All dimensions are in mm

COMPONENTS	MATERIALS	PLATING
Ferrule	Brass	Tin 3 over nickel 1

Fakra R3C 90 – Ferule

Cable type RG174 (2.6/50)

RAYDIALL
AUTOMOTIVE

R280.197.274

TECHNICAL DATA SHEET

Interface

According to ISO 20860-1

Application

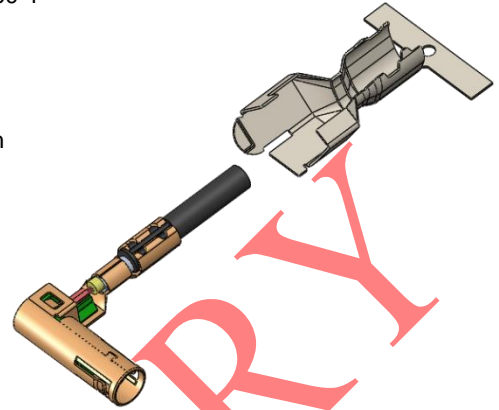
This ferule has to be assembled with the right components to reach
USCAR 17 Rev.5 & USCAR2 Rev.6 shielding performances.

Refer to **AI_R-A R3C WP** to get the corresponding P/N

Refer to **CS_R-A R3C** for the crimping instructions

Suitable cables

2.6/50Ω



Fakra R3C 90 – Ferule

Cable type RG174 (2.6/50)



R280.197.274

TECHNICAL DATA SHEET

Crimping process parameters & recommended tools

In order to guarantee the quality of the final coaxial cable assembly, the terminal must be crimped on the coaxial cable with specific applicators, following specific instructions that have been defined and validated by Raydiall. Please refer to the following documents: **AI_R-A R3C WP** (assembly instructions) and the customer specific document **CS_R-A R3C** (Crimping specifications).

The R3C 90 ferrule is an element that guarantees the signal integrity along the connector.

It must be implemented on the terminal following the specific instructions defined by Raydiall.

Please refer to the specified customer document **CS_R-A R3C** crimping specification.

Specific attention must be paid with respect to:

- Approved applicator suppliers, references and spare parts.
- Cable modification. Raydiall must validate any change on the cable: new cable supplier, new cable design or material.

Raydiall cannot be responsible for any quality issue if these instructions are not followed.

Storage condition & Shelf Life

Reel of connectors should be stored indoors, in its original packaging (box + plastic bag), in a controlled climate environment not exceeding -20°C/+40°C and maximum 70% relative humidity. The reels should be protected from direct sunlight and should be used on a "first-in, first-out" basis.

It is recommended that connector be used within 1 year from the date of reception, when stored according to the recommended storage condition.

Product Handling

Care must be taken when handling the connectors during all stages of production.

After crimping, when cables assemblies are manually handled, special attention must be paid, not to apply mechanical shock, by dropping connectors onto the floor or other hard surfaces. Once dropped, connectors must be inspected and should not show any type of impact or deformations.

Fakra R3C 90 – Ferule

Cable type RG174 (2.6/50)

RAYDIAL
AUTOMOTIVE

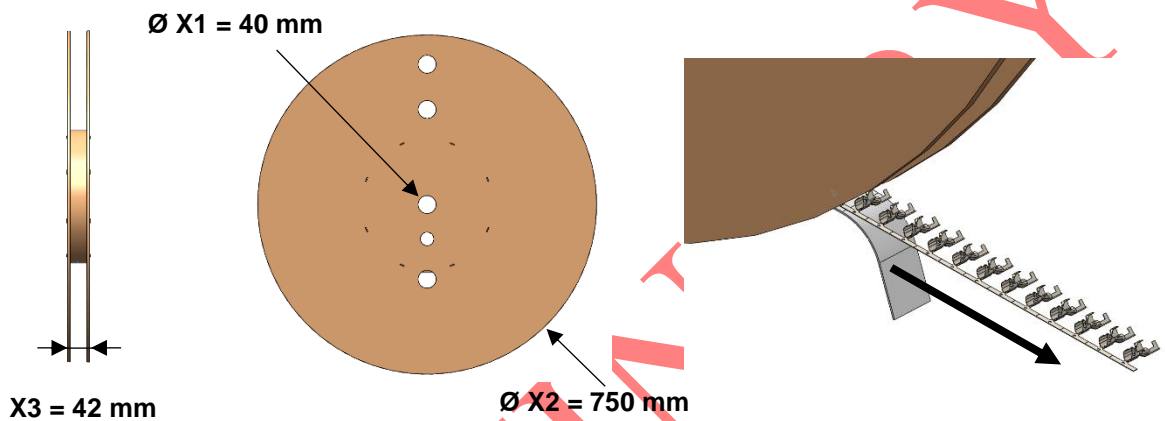
R280.197.274

TECHNICAL DATA SHEET

Packaging

Primary packaging Cardboard reel

- Reel Weight : **TO BE UPDATED**
- Number of pieces by reel: **TO BE UPDATED**. It is possible to have a maximum of 5 missing parts consecutively



Secondary packaging: Pallet

- Size: 80x80x90 cm
- Weight ≈ **TO BE UPDATED**
- 1 pallet contains 13 connector Cardboard reels.
- Number of pieces per pallet = **TO BE UPDATED**

