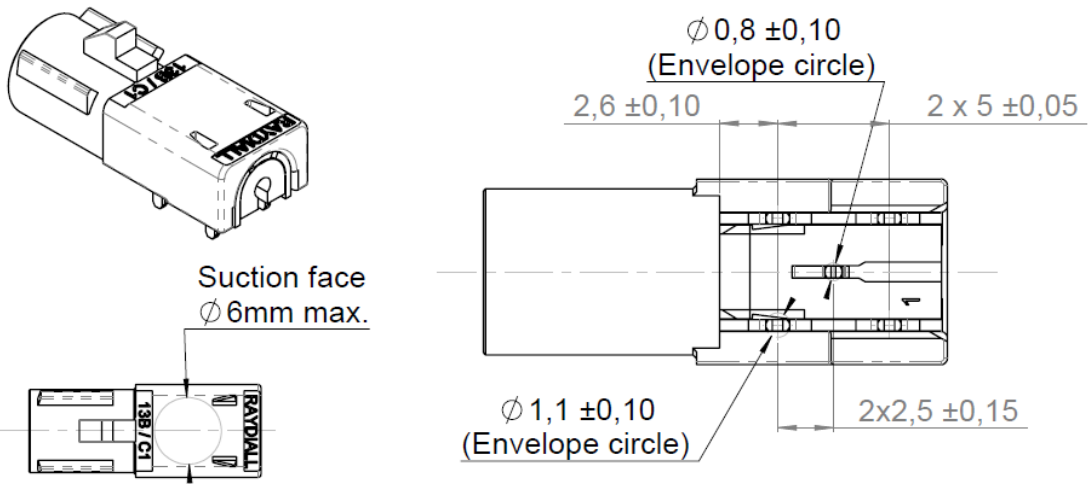
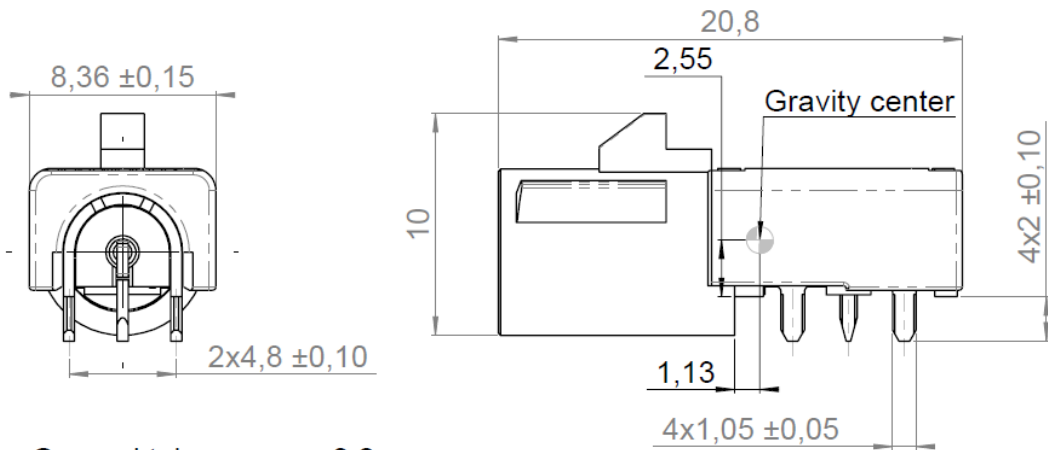


**PCB RIGHT ANGLE RECEPTACLE**  
**PIN IN PASTE VERSION -REEL PACKAGING 450**

**R197.166.\_28**  
 Series : **SMB CARLOCK**

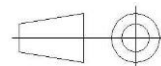


Exemple Coding A  
 For other coding see page 6



General tolerances : ±0.2

All dimensions are in mm.



COMPONENTS	MATERIALS	PLATING (µm)	
BODY	CuZn33	TIN 3 OVER NICKEL 2	
CENTER CONTACT	CuZn33	NICKEL + SELECTIVE GOLD	
OUTER CONTACT	-	-	
INSULATOR	PA66 GF30% GF	-	
GASKET	-	-	
OTHERS PARTS	-	-	
-	-	-	
-	-	-	
HOUSING	PA4T-GF30	UL CLASSIFICATION	COLOR
			SEE PAGE 7

Issue : 1710 A

In the effort to improve our products, we reserve the right to make changes judged to be necessary.



**PCB RIGHT ANGLE RECEPTACLE**

**R197.166.\_28**

**PIN IN PASTE VERSION -REEL PACKAGING 450**

Series : **SMB CARLOCK**

**PACKAGING**

**SPECIFICATION**

Standard	Unit	Other
<b>450</b>	-	<b>Contact us</b>

**ELECTRICAL CHARACTERISTICS**

**ENVIRONMENTAL**

Impedance		<b>50</b> Ω
Frequency		<b>0-3</b> GHz
VSWR		<b>1.5*</b> Maxi
Insertion loss		<b>NA</b> √F(GHz) dB Maxi
RF leakage	- (	<b>NA</b> - F(GHz)) dB Maxi
Voltage rating		<b>335</b> Veff Maxi
Dielectric withstanding voltage		<b>1000</b> Veff mini
Insulation resistance		<b>1000</b> MΩ mini

Operating temperature	<b>-40/+105</b> ° C
Hermetic seal	<b>NA</b> Atm.cm3/s
Panel leakage	<b>NA</b>

**OTHER CHARACTERISTICS**

Assembly instruction

Others :

\*Coaxial Transmission Line Only

**MECHANICAL CHARACTERISTICS**

Center contact retention		
Axial force – Mating end		<b>10</b> N mini
Axial force – Opposite end		<b>10</b> N mini
Torque		<b>NA</b> N.cm mini
Recommended torque		
Mating		<b>NA</b> N.cm
Panel nut		<b>NA</b> N.cm
Mating life		<b>25</b> Cycles mini
Weight		<b>1,7800</b> g

Issue : 1710 A

In the effort to improve our products, we reserve the right to make changes judged to be necessary.

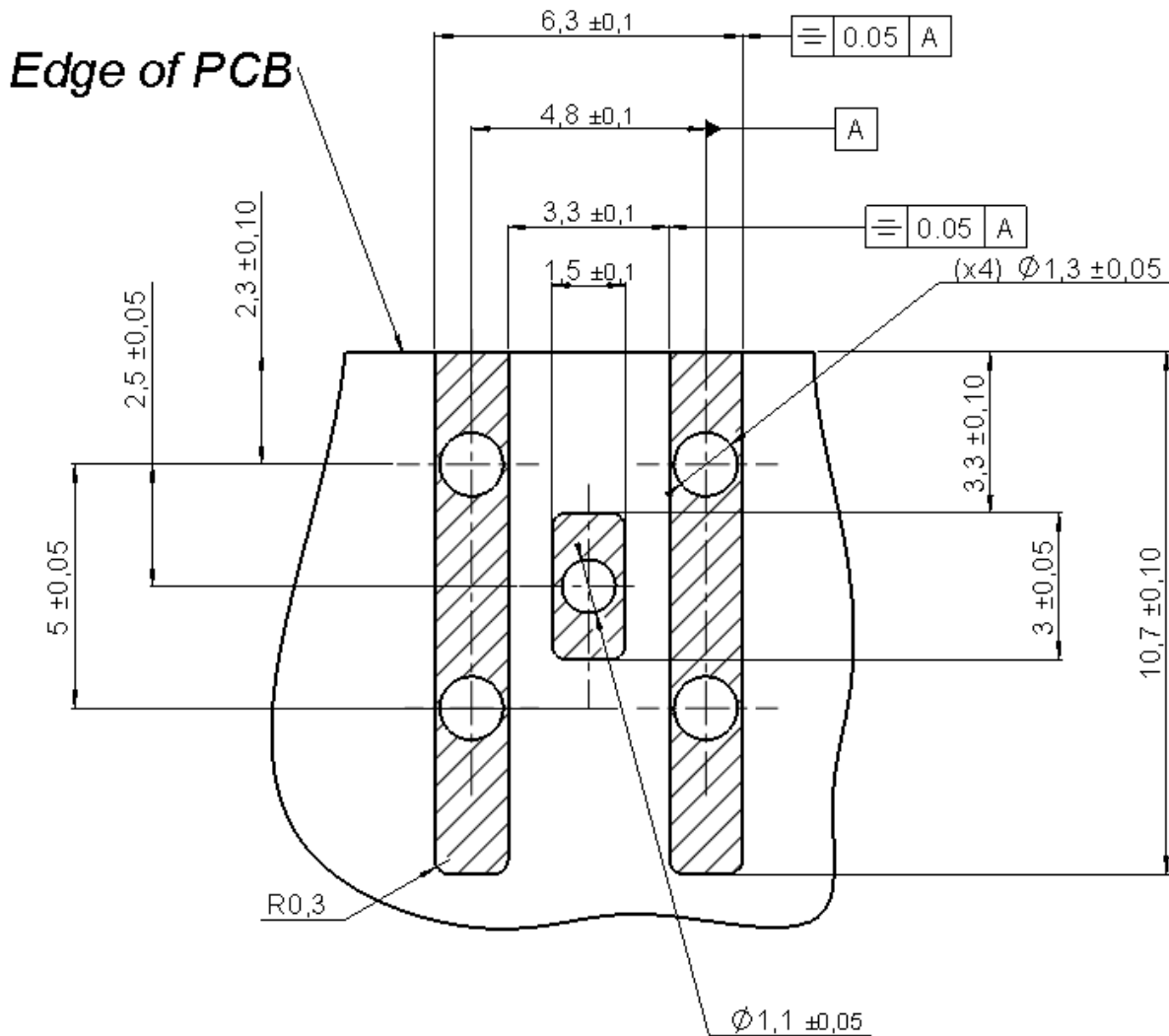
**PCB RIGHT ANGLE RECEPTACLE**

**R197.166.\_28**

**PIN IN PASTE VERSION -REEL PACKAGING 450**

Series : **SMB CARLOCK**

**PCB CUT OUT**



Thickness of PCB: 1,6 mm.  
 Material of PCB: FR4 (er = 4.6).  
 Solder paste has to be printed onto the land of solder and into holes to permit Pin In Hole Reflow

**Issue :** 1710 A

In the effort to improve our products, we reserve the right to make changes judged to be necessary.

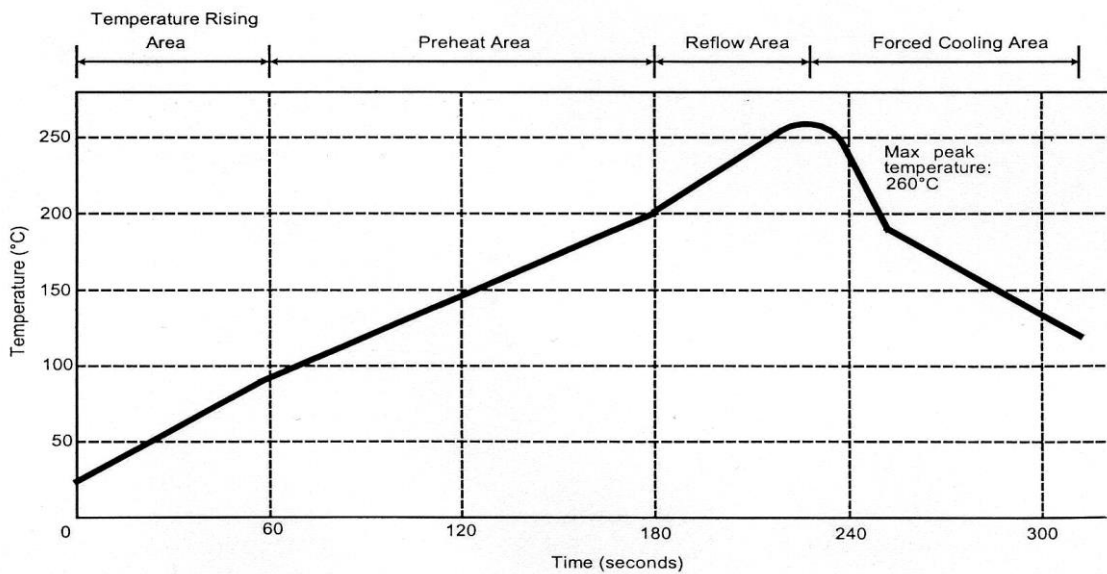
**PCB RIGHT ANGLE RECEPTACLE**  
**PIN IN PASTE VERSION -REEL PACKAGING 450**

**R197.166.\_28**  
 Series : **SMB CARLOCK**

**SOLDER PROCEDURE**

- 1 - Deposit solder paste " Sn95.5Ag3.8Cu0.7 " on mounting zone by screen printing application.  
 We recommend a low Residue Solid Flux.  
 We advise a thickness of 0,2 millimeters min. (0,008 inch min.).  
 The holes must be totally filled with cream Verify that the edges of the zone are clean.
- 2 - Placement of the receptacle on the mounting zone with an automatic machine of "pick and place" type.  
 Video camera is preferred to check the positioning of the component.  
 Adhesive agents are forbidden on the receptacle.
- 3 - Soldering by reflow process. The typical profile to use is given below.
- 4 - Clean printed circuit boards.
- 5 - Check of solder joints and position of the component by visual inspection

**TEMPERATURE PROFILE**



Parameter	Value	Unit
Temperature rising Area	1 - 4	°C/sec
Max Peak Temperature	260	°C
Max dwell time @260°C	10	sec
Min dwell time @235°C	20	sec
Max dwell time @235°C	60	sec
Temperature drop in cooling Area	-1 to - 4	°C/sec
Max dwell time above 100°C	420	sec

**Issue : 1710 A**

In the effort to improve our products, we reserve the right to make changes judged to be necessary.

**PCB RIGHT ANGLE RECEPTACLE**  
**PIN IN PASTE VERSION -REEL PACKAGING 450**

**R197.166.\_28**  
 Series : **SMB CARLOCK**

**STANDARD PACKAGING**

⇒ **REELS:**

*Plastic reel*

Overall dimensions : **Ø380 x 48mm**

Number of connectors per reel: **450**

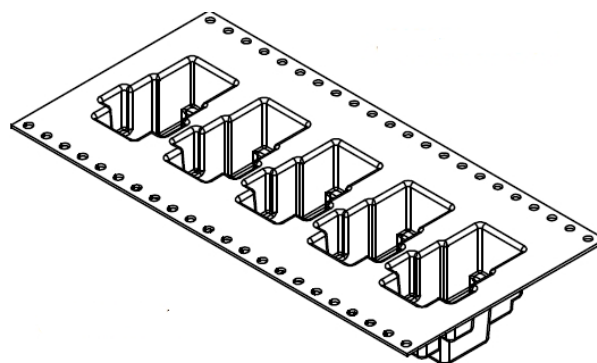
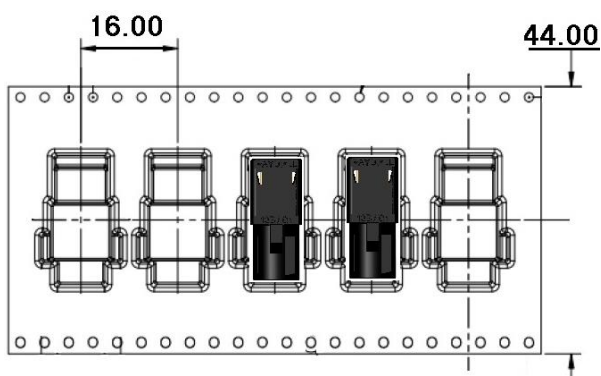
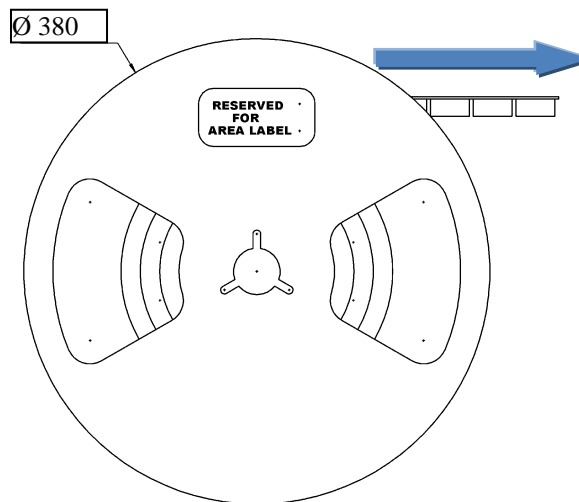
**CARRIER TAPE:**

**44mm width – pitch 16mm**

Material : thermoplastic static dissipative

**COVER TAPE MATERIAL :**

Thermoplastic antistatic



⇒ **CARDBOARD BOX:**

Inside dimensions: **381 x 381 x 210 mm**

Outside dimensions: **400 x 400 x 260 mm**

Number of reels per cardboard box: **4**

Number of connectors per cardboard box: **1800**

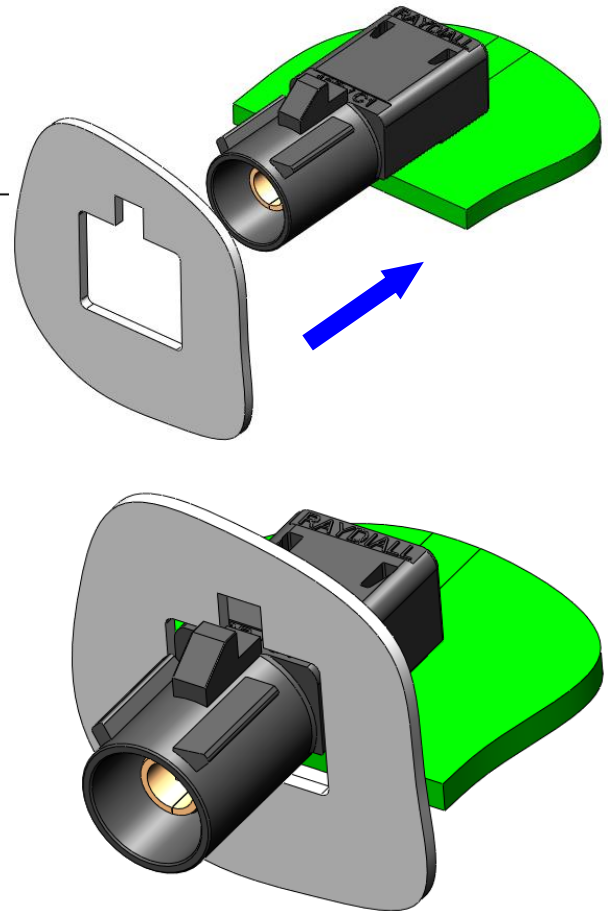
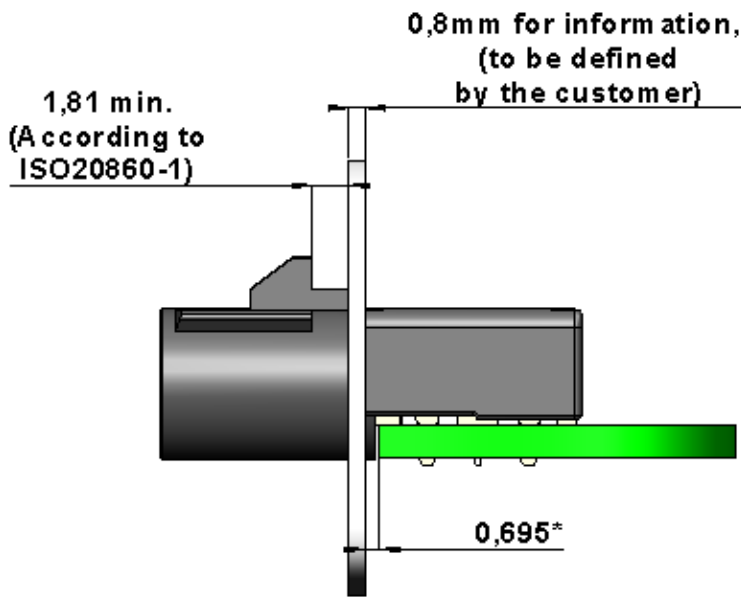
**Issue : 1710 A**

In the effort to improve our products, we reserve the right to make changes judged to be necessary.

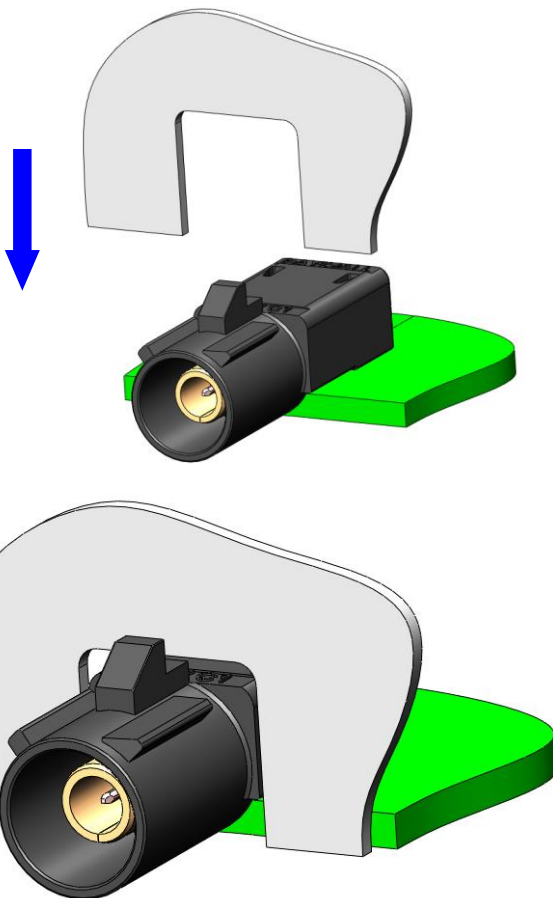
**PCB RIGHT ANGLE RECEPTACLE**  
**PIN IN PASTE VERSION -REEL PACKAGING 450**

**R197.166.\_28**  
 Series : SMB CARLOCK

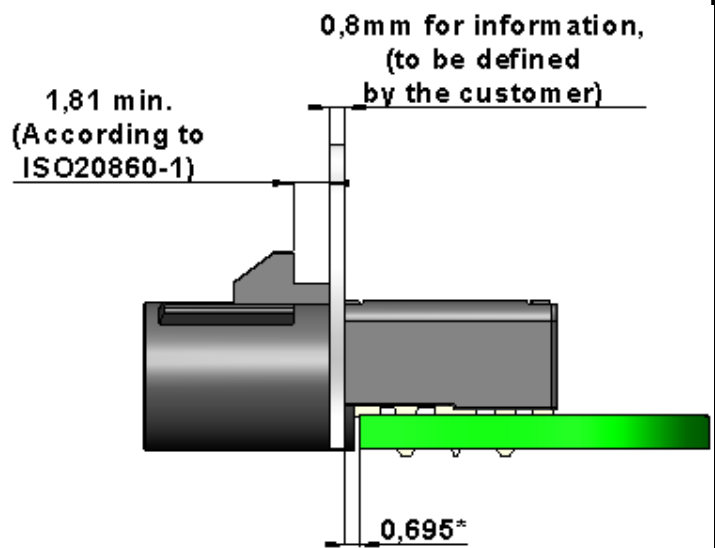
Mounting of frame from the front of connector.



Mounting of frame on top of connector



\* Dimensions between frame and PCB are done only for information



Issue : 1710 A

In the effort to improve our products, we reserve the right to make changes judged to be necessary.

**PCB RIGHT ANGLE RECEPTACLE**  
**PIN IN PASTE VERSION -REEL PACKAGING 450**

**R197.166.\_28**

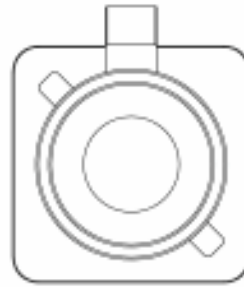
Series : SMB CARLOCK



**CODING A**  
**COLOR BLACK**  
**RAL 9005**



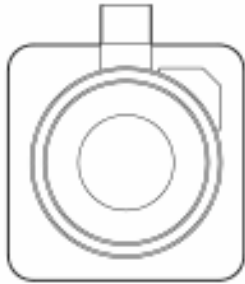
**CODING B**  
**COLOR CREAM**  
**WHITE**  
**RAL 9001**



**CODING C**  
**COLOR BLUE**  
**RAL 5005**



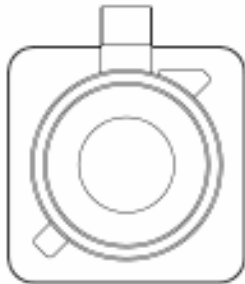
**CODING D**  
**COLOR BORDEAUX**  
**VIOLET**  
**RAL 4004**



**CODING E**  
**COLOR GREEN**  
**RAL 4002**



**CODING F**  
**COLOR BROWN**  
**RAL 8011**



**CODING G**  
**COLOR GREY**  
**RAL 7031**



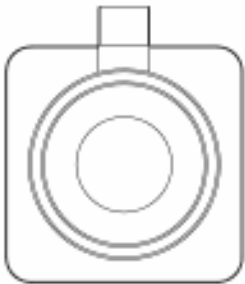
**CODING H**  
**COLOR VIOLET**  
**RAL 4003**



**CODING I**  
**COLOR BEIGE**  
**RAL 1001**



**CODING K**  
**COLOR CURRY**  
**RAL 1027**



**CODING Z**  
**COLOR WATER BLUE**  
**RAL 5021**

**UL CLASSIFICATION**  
**UL 94V-2**

**\*According to FAKRA specifications**

To obtain other coding for the connector please change the letter by the needed coding letter into the Part Number

Issue : 1710 A

In the effort to improve our products, we reserve the right to make changes judged to be necessary.