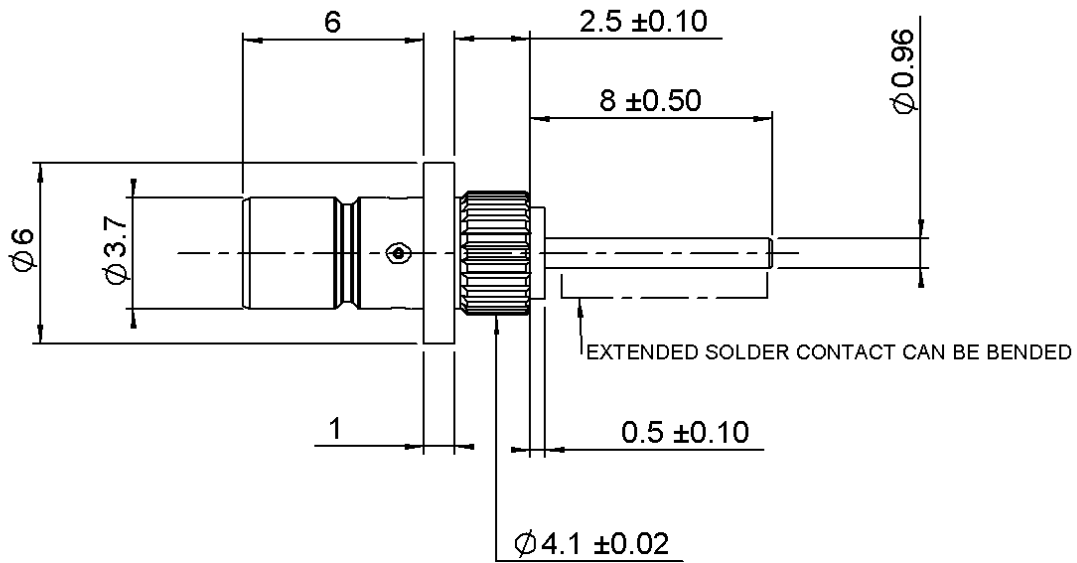


STRAIGHT MALE JACK FOR PRESS-IN HOUSING

R114.504.225

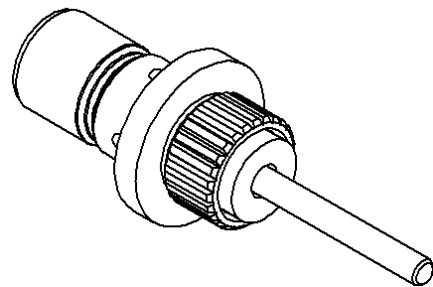
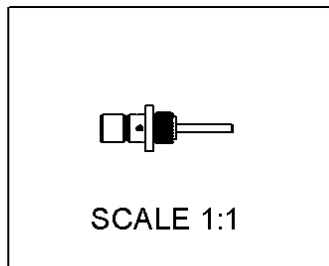
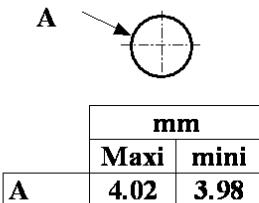
PACKAGING BY 1000

Series : **SMB**

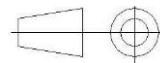


THICKNESS PANEL : 2.4 mini
: 3.3 maxi

PANEL CUT OUT



All dimensions are in mm.



COMPONENTS	MATERIALS	PLATINGS (µm)
BODY	BRASS	NICKEL 5 OVER COPPER 2
CENTER CONTACT	BRASS	GOLD 0.15 OVER NICKEL 2 OVER COPPER 1
OUTER CONTACT	-	-
INSULATOR	PTFE	-
GASKET	-	-
OTHERS PARTS	-	-
-	-	-
-	-	-

Issue : 1238 E

In the effort to improve our products, we reserve the right to make changes judged to be necessary.

STRAIGHT MALE JACK FOR PRESS-IN HOUSING

R114.504.225

PACKAGING BY 1000

Series : **SMB**

PACKAGING

SPECIFICATION

Standard	Unit	Other
1000		Contact us

ELECTRICAL CHARACTERISTICS

ENVIRONMENTAL

Impedance	50	Ω
Frequency	0-4	GHz
VSWR	1.05 + 0,0000	x F(GHz) Maxi
Insertion loss	AD	$\sqrt{F(GHz)}$ dB Maxi
RF leakage	- (AD)	- F(GHz) dB Maxi
Voltage rating	350	Veff Maxi
Dielectric withstanding voltage	750	Veff mini
Insulation resistance	5000	M Ω mini

Operating temperature	-65/+165	$^{\circ}$ C
Hermetic seal	NA	Atm.cm3/s
Panel leakage	NA	

OTHERS CHARACTERISTICS

Assembly instruction **NA**

Others :

*COAXIAL TRANSMISSION LINE ONLY
EXTENDED SOLDER CONTACT CAN BE BENDED

MECHANICAL CHARACTERISTICS

Center contact retention		
Axial force – Mating end	10	N mini
Axial force – Opposite end	10	N mini
Torque	3	N.cm mini
Recommended torque		
Mating	NA	N.cm
Panel nut	NA	N.cm
Mating life	100	Cycles mini
Weight	0,6500	g

Issue : 1238 E

In the effort to improve our products, we reserve the right to make changes judged to be necessary.