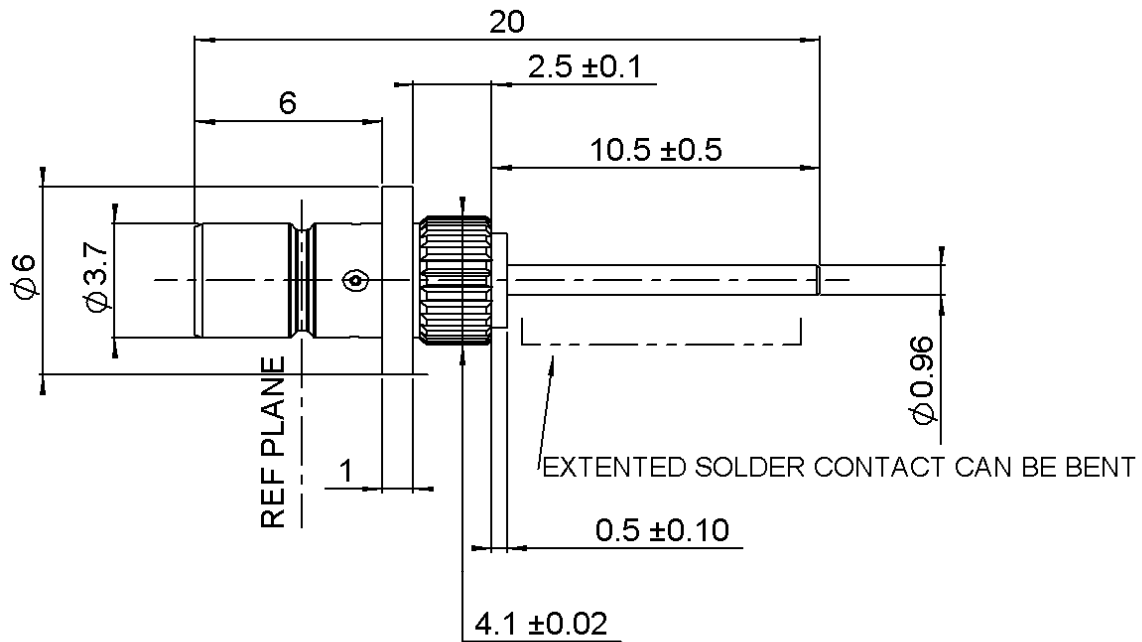


STRAIGHT MALE JACK FOR PRESS-IN HOUSING

R114.504.230

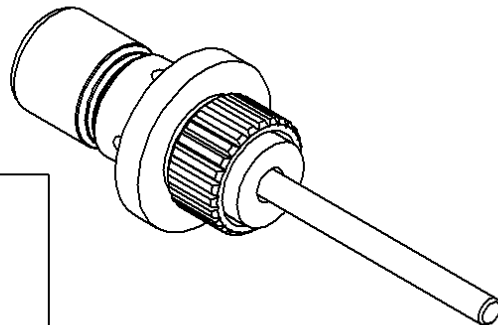
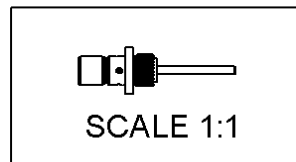
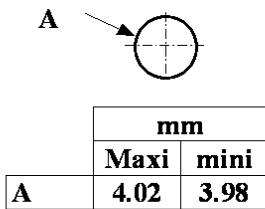
FRONT MOUNTING

Series : SMB

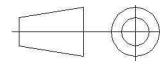


THICKNESS PANEL : 2.4 mini
: 3.3 maxi

PANEL CUT OUT



All dimensions are in mm.



COMPONENTS	MATERIALS	PLATING (µm)
BODY	BRASS	NICKEL 5 OVER COPPER 2
CENTER CONTACT	BRASS	GOLD 0.15 OVER NICKEL 2 OVER COPPER 1
OUTER CONTACT	-	-
INSULATOR	PTFE	-
GASKET	-	-
OTHERS PARTS	-	-
-	-	-
-	-	-

Issue : 0905 A

In the effort to improve our products, we reserve the right to make changes judged to be necessary.



STRAIGHT MALE JACK FOR PRESS-IN HOUSING

R114.504.230

FRONT MOUNTING

Series : **SMB**

PACKAGING

SPECIFICATION

Standard	Unit	Other
2x500**	'W' option	Contact us

QS9000

ELECTRICAL CHARACTERISTICS

ENVIRONMENTAL

Impedance	50	Ω
Frequency	0-4	GHz
VSWR	1.05* + 0,0080	x F(GHz) Maxi
Insertion loss	0.03*	\sqrt{F} (GHz) dB Maxi
RF leakage	- (57)	- F(GHz)) dB Maxi
Voltage rating	500	Veff Maxi
Dielectric withstanding voltage	1000	Veff mini
Insulation resistance	1000	M Ω mini

Operating temperature	-65/+165	$^{\circ}$ C
Hermetic seal	NA	Atm.cm3/s
Panel leakage	NA	

OTHER CHARACTERISTICS

Assembly instruction **NA**

Others :

*COAXIAL TRANSMISSION LINE ONLY
EXTENDED SOLDER CONTACT CAN BE BENT

** Packaging into a cardboard box with two plastic bags of five hundred parts

MECHANICAL CHARACTERISTICS

Center contact retention		
Axial force – Mating end	10	N mini
Axial force – Opposite end	10	N mini
Torque	3	N.cm mini
Recommended torque		
Mating	NA	N.cm
Panel nut	NA	N.cm
Mating life	500	Cycles mini
Weight	0,6670	g

CUSTOMER'S APPROVAL

Department or company's stamp

Name :

Date :

Copy to send back to
RADIALL S.A. BEFORE : 02/06/2009

Issue : 0905 A

In the effort to improve our products, we reserve the right to make changes judged to be necessary.

