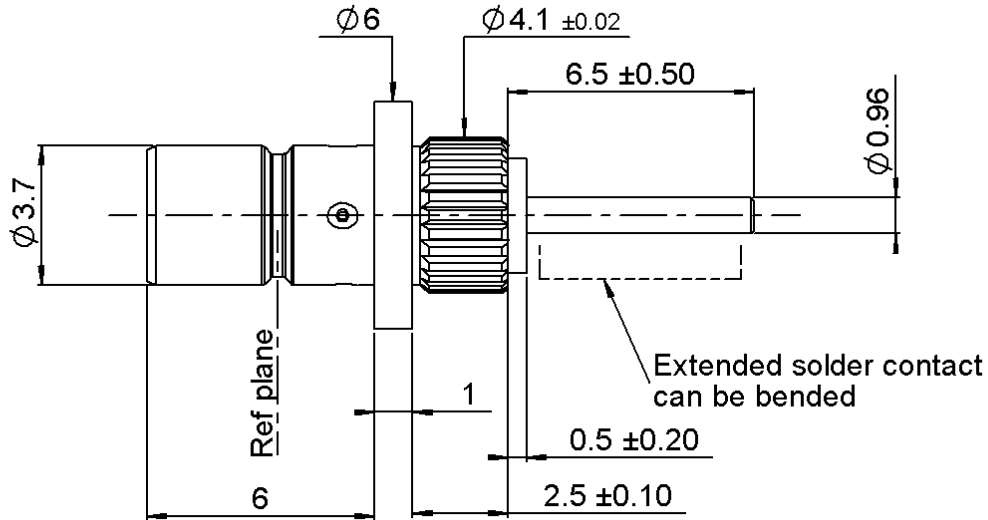


STRAIGHT MALE RECEPTACLE PRESS IN TYPE

R114.504.240

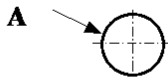
PACKAGING BY 1000

Series : **SMB**

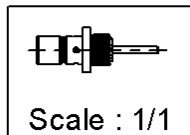
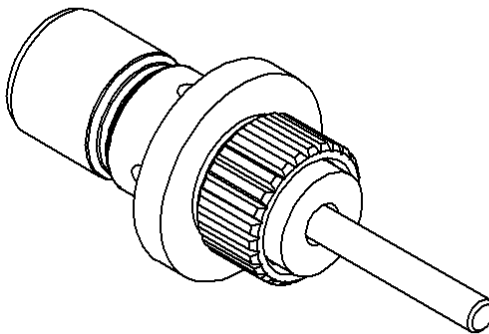


TICKNESS PANEL 2.4 mini
3.3 maxi

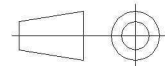
PANEL CUT OUT



		mm	
		Maxi	mini
A		4.02	3.98



All dimensions are in mm.



COMPONENTS	MATERIALS	PLATING (μm)
BODY	BRASS	NICKEL 5 OVER COPPER 2
CENTER CONTACT	BRASS	GOLD 0.15 OVER NICKEL 2 OVER COPPER 1
OUTER CONTACT	-	-
INSULATOR	PTFE	-
GASKET	-	-
OTHERS PARTS	-	-
-	-	-
-	-	-

Issue : 1541 A

In the effort to improve our products, we reserve the right to make changes judged to be necessary.



STRAIGHT MALE RECEPTACLE PRESS IN TYPE

R114.504.240

PACKAGING BY 1000

Series : **SMB**

PACKAGING

SPECIFICATION

Standard	Unit	Other
1000	-	Contact us

ELECTRICAL CHARACTERISTICS

ENVIRONMENTAL

Impedance	50	Ω
Frequency	0-4	GHz
VSWR	1.05* + 0,0000	x F(GHz) Maxi
Insertion loss	TBD	$\sqrt{F(GHz)}$ dB Maxi
RF leakage	- (TBD)	- F(GHz)) dB Maxi
Voltage rating	350	Veff Maxi
Dielectric withstanding voltage	750	Veff mini
Insulation resistance	5000	M Ω mini

Operating temperature	-65/+165	$^{\circ}$ C
Hermetic seal	NA	Atm.cm3/s
Panel leakage	NA	

OTHER CHARACTERISTICS

Assembly instruction

Others :

*Coaxial Transmission Line Only

Extended solder contact can be bended

MECHANICAL CHARACTERISTICS

Center contact retention		
Axial force – Mating end	10	N mini
Axial force – Opposite end	10	N mini
Torque	3	N.cm mini
Recommended torque		
Mating	NA	N.cm
Panel nut	NA	N.cm
Mating life	100	Cycles mini
Weight	0,6300	g

Issue : 1541 A

In the effort to improve our products, we reserve the right to make changes judged to be necessary.