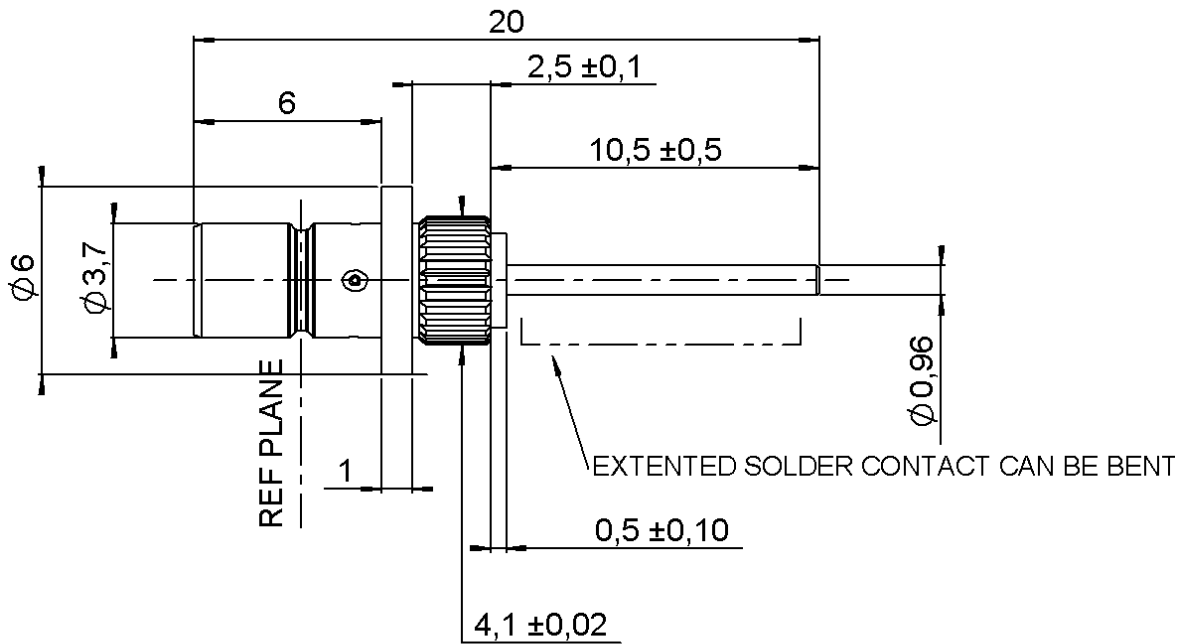


**STRAIGHT MALE RECEPTACLE PRESS-IN TYPE**

**R114.504.235**

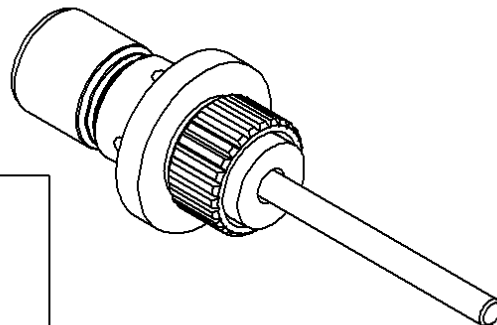
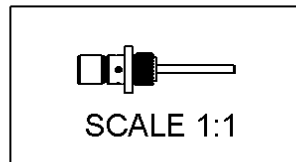
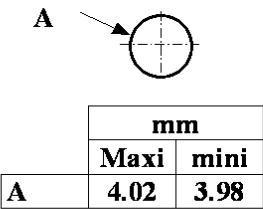
**FRONT MOUNTING**

Series : **SMB**

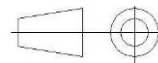


THICKNESS PANEL : 2.4 mini  
: 3.3 maxi

**PANEL CUT OUT**



All dimensions are in mm.



COMPONENTS	MATERIALS	PLATINGS (µm)
BODY	BRASS	NICKEL 5 OVER COPPER 2
CENTER CONTACT	BRASS	GOLD 0.8 OVER NICKEL 2 OVER COPPER 1
OUTER CONTACT	-	-
INSULATOR	PTFE	-
GASKET	-	-
OTHERS PARTS	-	-
.	.	.
.	.	.

Issue : 1728 C

In the effort to improve our products, we reserve the right to make changes judged to be necessary.

**STRAIGHT MALE RECEPTACLE PRESS-IN TYPE**  
**FRONT MOUNTING**

**R114.504.235**

Series : **SMB**

**PACKAGING**

Standard	Unit	Other
<b>2 x 500 **</b>		<b>Contact us</b>

**SPECIFICATION**

**10 420 030 Rev.A02**

**ELECTRICAL CHARACTERISTICS**

Impedance		<b>50</b> Ω
Frequency		<b>0-4</b> GHz
VSWR	<b>1.05*</b> +	<b>0,0080</b> x F(GHz) Maxi
Insertion loss		<b>0.03*</b> √F(GHz) dB Maxi
RF leakage	- (	<b>57</b> - F(GHz)) dB Maxi
Voltage rating		<b>500</b> Veff Maxi
Dielectric withstanding voltage		<b>1000</b> Veff mini
Insulation resistance		<b>1000</b> MΩ mini

**ENVIRONMENTAL**

Operating temperature	<b>-65/+165</b> ° C
Hermetic seal	<b>NA</b> Atm.cm3/s
Panel leakage	<b>NA</b>

**OTHERS CHARACTERISTICS**

Assembly instruction **NA**

Others :

\*COAXIAL TRANSMISSION LINE ONLY  
EXTENDED SOLDER CONTACT CAN BE BENT

\*\* Packaging into a cardboard box with two plastic bags of five hundred parts.

**MECHANICAL CHARACTERISTICS**

Center contact retention		
Axial force – Mating end	<b>10</b>	N mini
Axial force – Opposite end	<b>10</b>	N mini
Torque	<b>3</b>	N.cm mini
Recommended torque		
Mating	<b>NA</b>	N.cm
Panel nut	<b>NA</b>	N.cm
Mating life	<b>500</b>	Cycles mini
Weight	<b>0,6670</b>	g

Issue : 1728 C

In the effort to improve our products, we reserve the right to make changes judged to be necessary.