

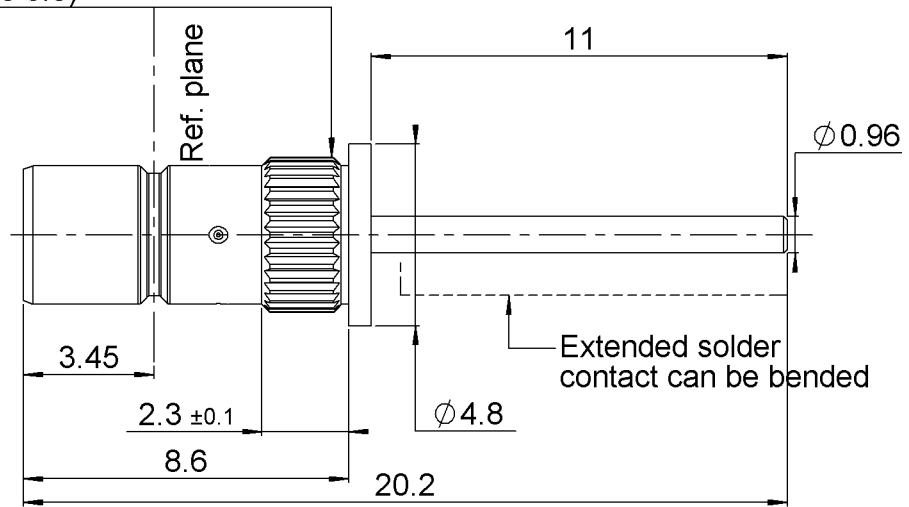
STRAIGHT PRESS IN RECEPTACLE

R114.505.230

FRONT MOUNT - WITH CYLINDRICAL CONTACT

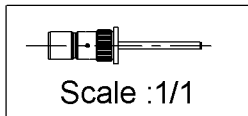
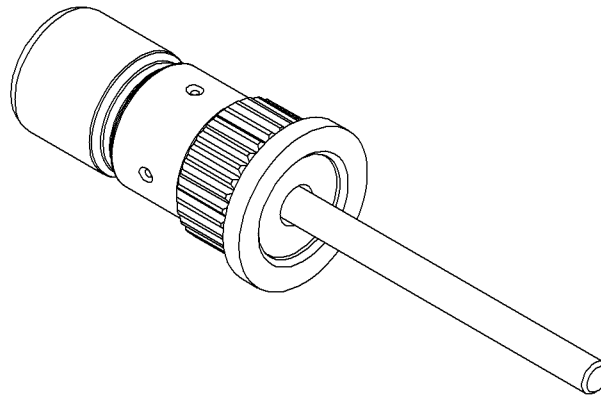
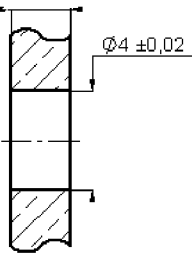
Series : **SMB**

◆ $\phi 4.1 \pm 0.02$ / straight knurled pitch 0.5
(/moletage droit pas 0.5)

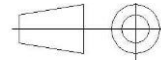


PANEL PIERCING

2,4 mini a 3,3 maxi



All dimensions are in mm.



COMPONENTS	MATERIALS	PLATINGS (μm)
BODY	BRASS	NICKEL 5 OVER COPPER 2
CENTER CONTACT	BRASS	GOLD 0.8 OVER NICKEL 2 OVER COPPER 1
OUTER CONTACT	-	-
INSULATOR	PTFE	-
GASKET	-	-
OTHERS PARTS	-	-
-	-	-
-	-	-

Issue : 1728 B

In the effort to improve our products, we reserve the right to make changes judged to be necessary.

STRAIGHT PRESS IN RECEPTACLE

R114.505.230

FRONT MOUNT - WITH CYLINDRICAL CONTACT

Series : **SMB**

PACKAGING

SPECIFICATION

Standard	Unit	Other
2 x500**		Contact us

10420034 Rev 02

ELECTRICAL CHARACTERISTICS

ENVIRONMENTAL

Impedance		50 Ω
Frequency		0-4 GHz
VSWR	1.05* +	0,0080 x F(GHz) Maxi
Insertion loss		0.03* √F(GHz) dB Maxi
RF leakage	- (57 - F(GHz)) dB Maxi
Voltage rating		500 Veff Maxi
Dielectric withstanding voltage		1000 Veff mini
Insulation resistance		1000 MΩ mini

Operating temperature	-65/+165 ° C
Hermetic seal	NA Atm.cm3/s
Panel leakage	NA

OTHERS CHARACTERISTICS

Assembly instruction **NA**

Others :

*Coaxial Transmission Line Only

** Packaging into a cardboard box with two plastic bags of five hundred parts.

MECHANICAL CHARACTERISTICS

Center contact retention		
Axial force – Mating end		10 N mini
Axial force – Opposite end		10 N mini
Torque		NA N.cm mini
Recommended torque		
Mating		NA N.cm
Panel nut		NA N.cm
Mating life		500 Cycles mini
Weight		0,5200 g

Issue : 1728 B

In the effort to improve our products, we reserve the right to make changes judged to be necessary.