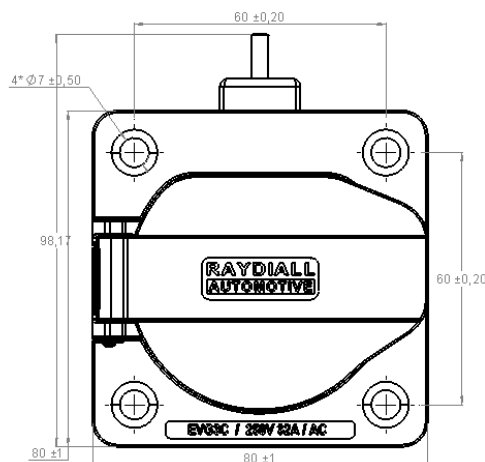
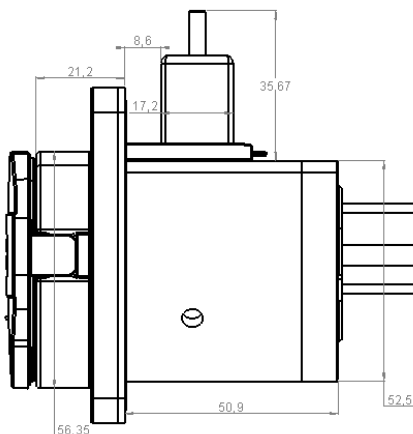
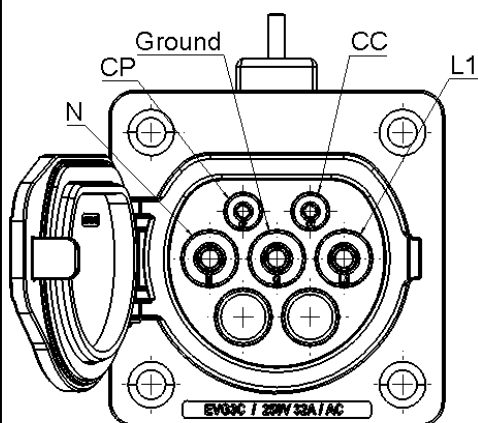
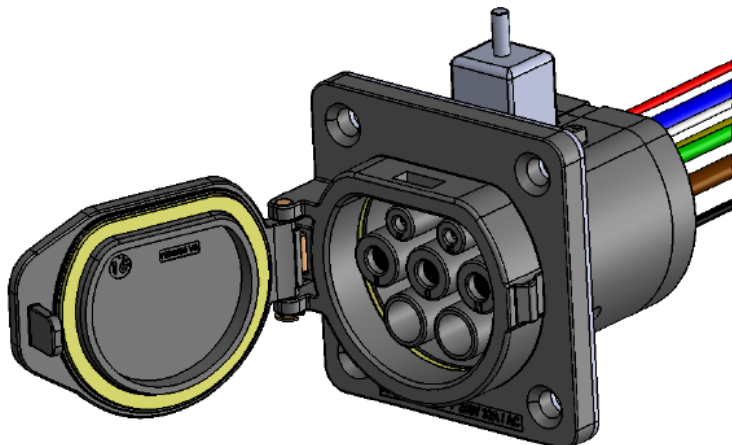


GB/T Socket outlet for AC Charging

EVG3C

GB/T 电动汽车供电端交流充电插头

Series : **EV**



WARNING

Not suitable for making and breaking an electrical circuit under load. / 不能在使用充电过程断开
Do not submerge. / 不能浸水

Product compliant with GB/T20234.1 2015 and GB/T20234.2 release 2015 standard
产品符合 GB/T20234.1 2015 和 GB/T20234.2 release 2015 标准

All dimensions are in mm / 所有尺寸单位为毫米 mm

PERFORMANCES

Operating current / 工作电流	32 A
Type current / 交流方式	Single phase current 单相交流
Frequency / 交流频率	50 to 60 Hz
Voltage rating / 额定电压	250 V AC
Ambient operating temperature 工作温度	-30 °C / +60 °C
Dielectric withstanding voltage 耐电压	2000 V AC mini
Insulation resistance / 绝缘电阻	5 MΩ mini
Mating life / 插拔寿命	10 000 mini
Mating force / 最大插拔力	100 N Maxi
Level Protection Waterproof 防护等级	IP54 unplugged IP55 plugged

SPECIFICATIONS

Net weight ± 10%/净重 (±10%)	600 g
Trapdoor removable 可拆卸式盖	
Flammability of the material 材料阻燃等级	V0
Electro lock / 电子锁规格	
Voltage rating / 额定电压	12V DC±10%
Impulse power / 额定功率	16.9W ±10%
Impulse current / 启动电流	1.41 A
Temperature Sensor PT1000 / 铂热电阻	
PT1000 Resistance R (0 °C) 电阻抵抗值	1000 Ω

Edition : 1707

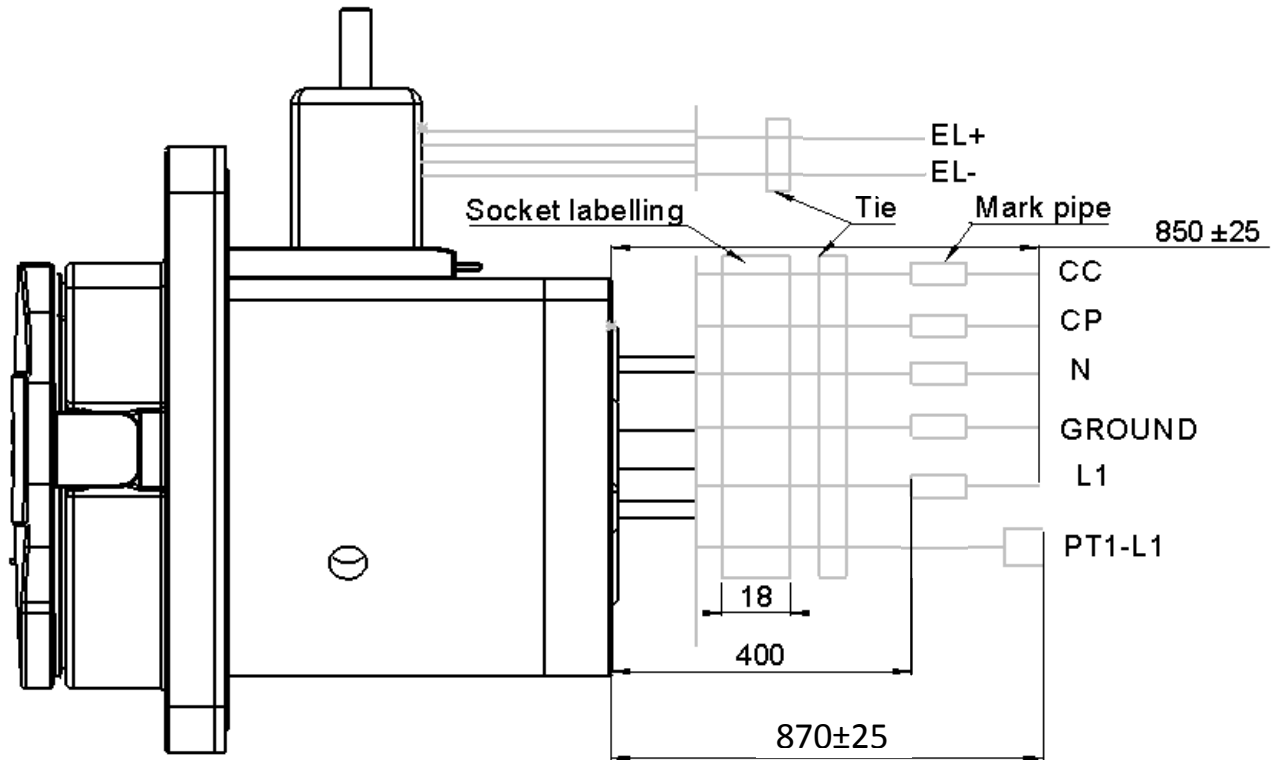
Design changes may be in order to improve the product. 可以改变设计方案以提高完善产品

GB/T Socket outlet for AC Charging

EVG3C

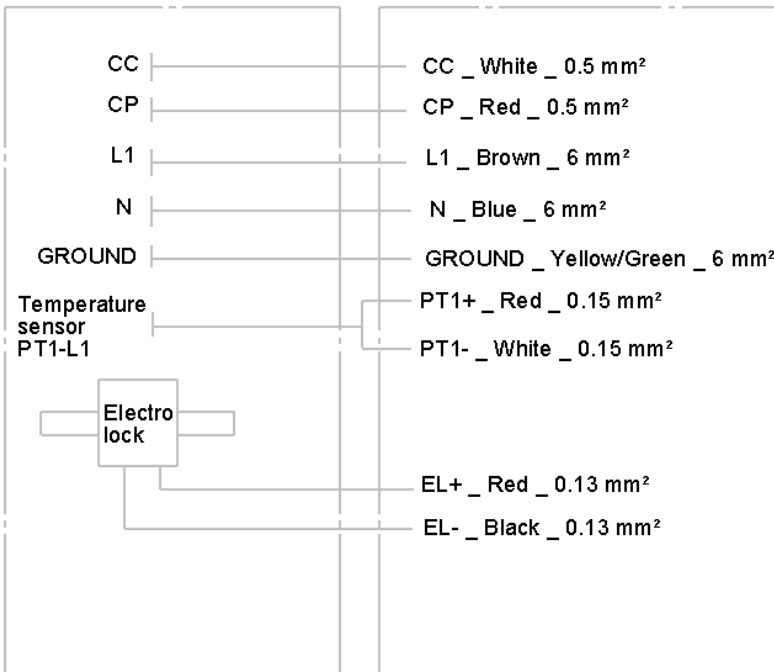
GB/T 电动汽车供电端交流充电插头

Series : EV



INTERFACE SIDE

STATION SIDE



Electromechanical lock

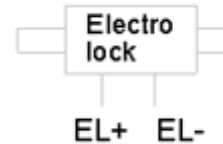


Table general

	EL+	EL-
Unlock	0	+12V
Lock	+12V	0
Stay in position	0	0

Edition : 1707

Design changes may be in order to improve the product. 可以改变设计方案以提高完善产品

GB/T Socket outlet for AC Charging

EVG3C

GB/T 电动汽车供电端交流充电插头

Series : EV

Temperature sensor

For a temperature of 0 ° C: the resistance is 1000 Ω ± 0,06.

0 ° C 时温度传感器标准电阻值为 1000 Ω ± 0,06

For a temperature of 25 ° C: the resistance is 1097,35 Ω ± 0,06.

25 ° C 时其电阻值为 1097,35 Ω ± 0,06

For the resistance is 1423 Ω (110°C ± 0,3: the load must be switched off.

当显示电阻值为 1423 Ω 即环境温度为(110°C ± 0,3) , 需立即断开

Options

1. By default Electromechanical lock no IP 默认无防护式电磁锁

In option electromechanical lock IP. 可选用防护式电磁锁.

DONGNAN part n°: DNL 301.

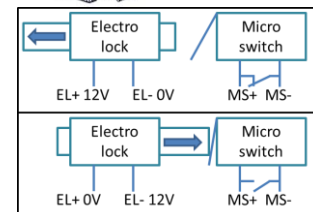
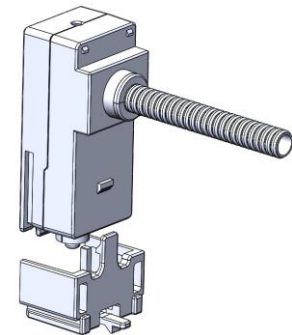
With micro switch integrated /内部集成微动开关

Level Protection Waterproof /防护等级 : IP67

Voltage rating / 额定电压 : 12V DC

Peak power rating / 额定功率 : 36W

Impulse current / 启动电流 : 3A



2. A second temperature sensor PT1000 / 可增加第二温度传感器 PT1000
3. Three-phases / 440V → 5 power contacts (Ground, N, L1, L2 and L3)
对应三交流 440V → 5 电源触头 (接地, 中性, 交流电源 L1, L2 以及 L3)
4. Wire length in option : 300mm/500mm/850mm / 三种长度可选

Packaging

One bubble wrap per AC SOCKET OUTLET.

单件产品会使用外包装气泡膜来包装运输

18 AC SOCKET OUTLET per cardboard.

每 18 件产品则由纸板箱

Labeling

Standard RAYDIALL label with the part reference and the number of pieces per cardboard.

每件纸板包装产品带有标准的 RAYDIALL 标签并标有产品数目