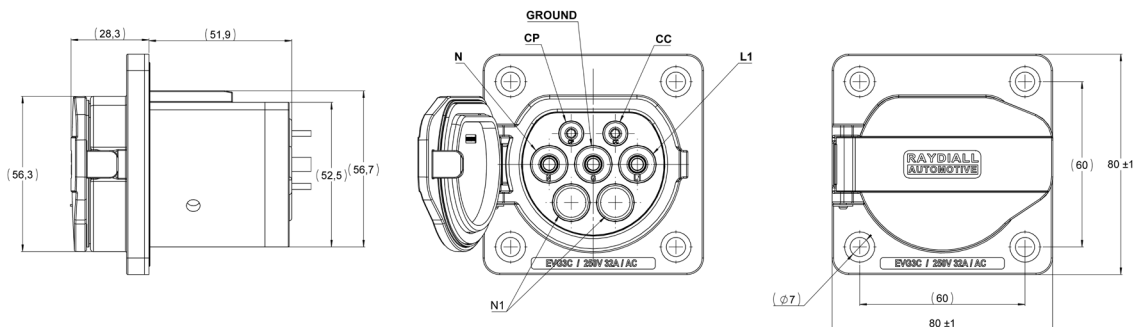




## CHARACTERISTICS:

- **Rating Current**.....32 A
- **Rating Voltage**.....250 V AC
- **Operating Temp**.....-30 to 50 °C
- **Mono / Tri Phase**
- **Cable length**:.....0.3 to 0.85m
- **GB/T 2015 3<sup>rd</sup> party certification**
- **Raydiall part number**:.....EVG3C



## MAIN BENEFITS :

- Proven robust design
- Low insertion force < 78N
- High reliability (guarantee for a minimum of 10 000 mating cycles)
- Silver plated contacts
- Several options: - electro lock specifications  
- number of temperature sensors