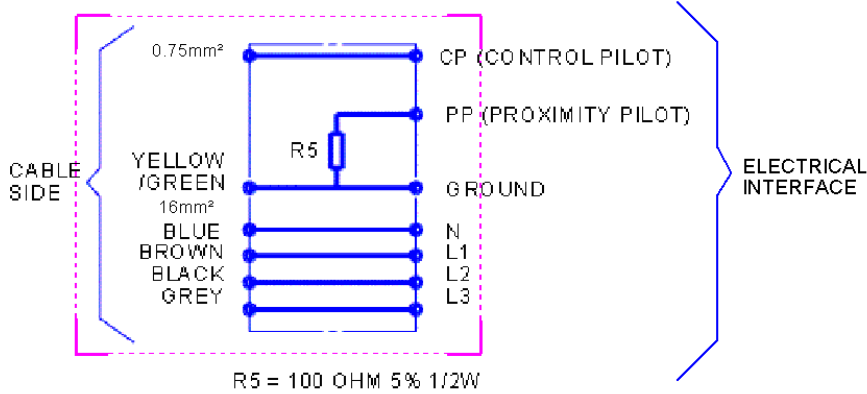
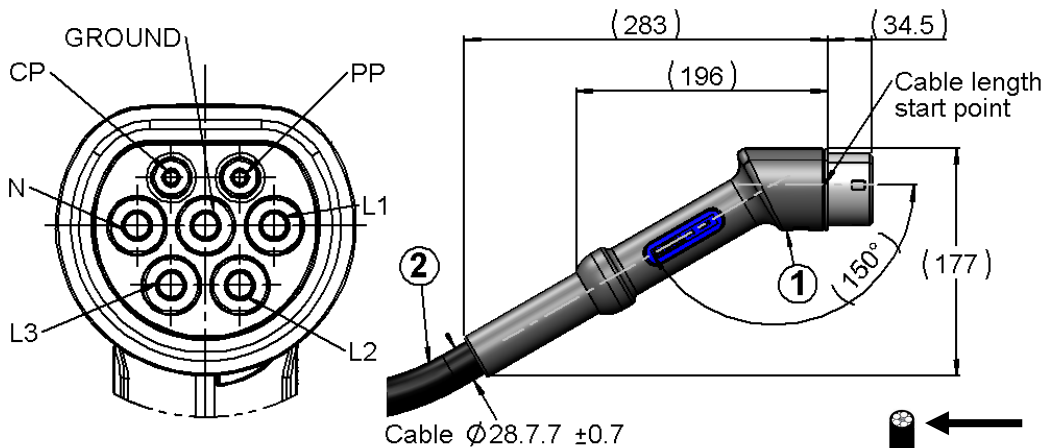


<b>CE</b>	<b>C/A EV PLUG 43kW-TRIPHASE</b>	<b>R297CAZ1.05-00</b>
	<b>5G16 + 1x0.75 LENGTH = 5 M</b>	Series : <b>CORD AUTO</b>



All dimensions are in mm

Standard version are produced with 5 meters cable  $\phi 28.7 \pm 0.7$ . Static bend radius  $\geq 115$ mm Dynamic bend radius  $\geq 230$ mm

**WARNING :**

RAYDIALL plug must be used with a IEC62196-2 (ed1.0 Oct2011) vehicle inlet. Failure to comply with this requirement will reduce the plug performance and avoid the warranty, especially if some of plastic caps are missing at the end of power pin. Non-rewireable accessories. Not suitable for making and breaking an electrical circuit under load. Shall be used with a mechanical locking device which prevents the opening of the connection during the charge.

- \* 1 \* Connector A: **EV plug 43kW - Interface "Type 2" compatible with IEC62196-2 sheet 2-IIif**
- \* 2 \* Cable : **5G16 + 1x0.75mm<sup>2</sup> - 600V – Black - 5 meters  $\pm$  5%**

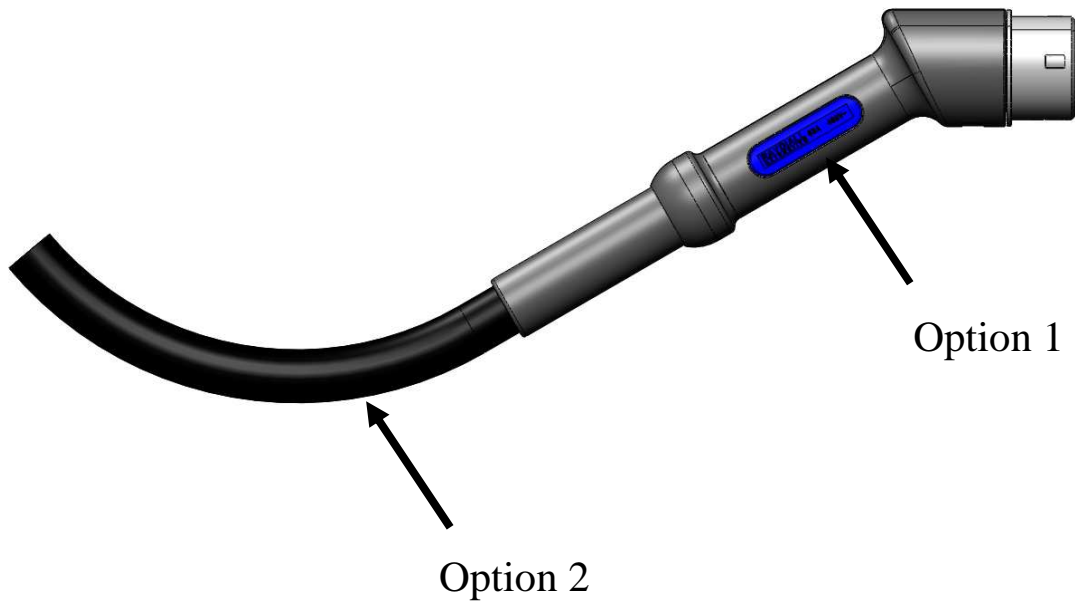
**ELECTRICAL CHARACTERISTICS\***

\* With IEC62196-2 ed1.0 vehicle inlet

Operating current	<b>63 A</b>
Frequency	<b>50 to 60 Hz</b>
Voltage rating	<b>400 V AC</b>
Operating temperature	<b>-40 / +50° C</b>
Dielectric withstanding voltage	<b>2000 V AC</b>
Insulation resistance	<b>100 MΩ mini</b>
Mating life	<b>10 000 mini</b>
Mating force	<b>80 N Maxi</b>

**SPECIFICATION**

Level protection waterproof	<b>IP54 unplugged</b>
	<b>IP55 plugged</b>
Cable retention	<b>240N min</b>
Plug Weight $\pm$ 5%	<b>0.53 kg</b>
Cables weight (5 m) $\pm$ 5%	<b>6.7 kg</b>
Plug + cable weight $\pm$ 5%	<b>7.23 kg</b>
Pilot current	<b>2 A</b>

**C/A EV PLUG 43kW-TRIPHASE****R297CAZ1.05-00****5G16 + 1x0.75 LENGTH = 5 M**Series : **CORD AUTO****OPTIONS**

Option 1 : Other colors can supplied on demand

Option 2 : Other lengths can be supplied on demand

For more information, please contact us