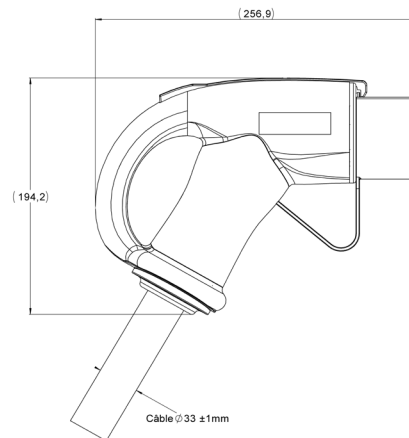
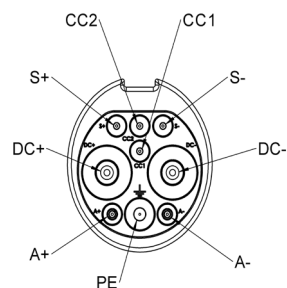




CHARACTERISTICS:

- Operating current.....125 A
- Operating Voltage.....750 - 1000 V DC
- Operating Temp.....-30 to 50 °C
- 2 temperature sensors
- GB/T 2015 3rd party certification
 - Interlock
 - Emergency unlock
- Raydiall part number:...EVG1M



MAIN BENEFITS :

- Highly secured power switch off
- Waterproof IP67
- Proven robust design
- High reliability (guarantee for a minimum of 10 000 mating cycles)
- Silver plated contacts
- Low insertion force compared to the competition
- Several options: Color customization, cable's length...