

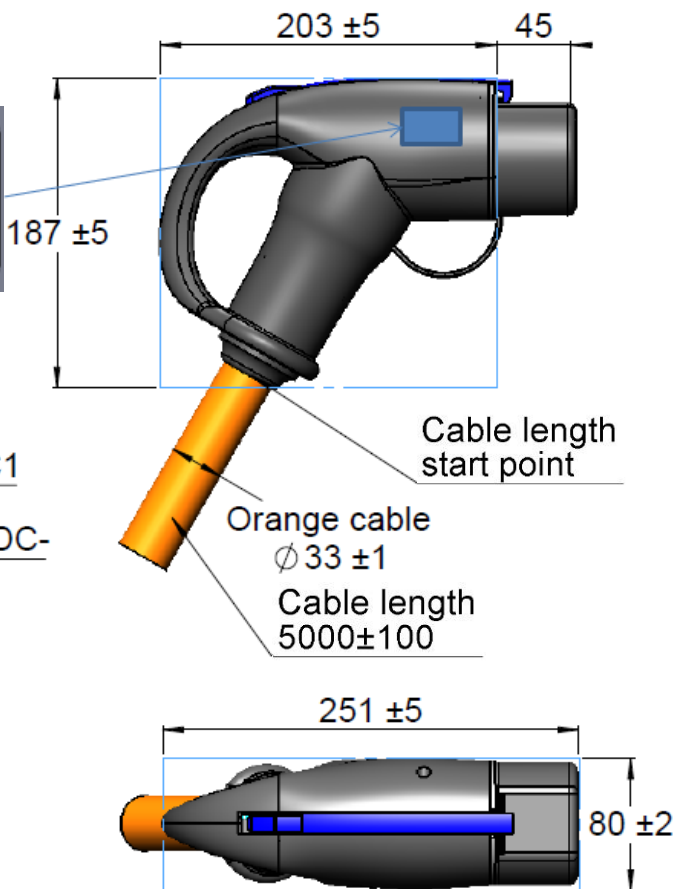
GB/T DC VEHICLE CONNECTOR 125A

EVG1M

GB/T 直流电动汽车充电枪/车辆插口 125A

Series : EV

Marking



WARNING

Not suitable for making and breaking an electrical circuit under load. / 不能在使用充电过程断开
Do not submerge. / 不能浸水

Product compliant with GB/T20234.1 2015 and GB/T20234.3 release 2015 standard

产品符合 GB/T20234.1 2015 和 GB/T20234.3 release 2015 标准

All dimensions are in mm / 所有尺寸单位为毫米 mm

PERFORMANCES

Operating rating / 额定电流	125 A
Voltage rating / 额定电压	750/1000 V DC
Ambient operating temperature / 使用环境温度	-30°C / +50 °C
Dielectric withstanding voltage / 耐电压	2000 V AC mini
Insulation resistance / 绝缘电阻	5 MΩ mini
Mating life / 插拔寿命	10 000 mini
Mating force / 最大插拔力	140 N Maxi
Pilots current / 导频电流	2A

SPECIFICATIONS

Level Protection Waterproof 防护等级	IP54 unplugged IP55 plugged
Net weight ± 10% with 5 m cable 净重 (含 5 米线缆) ± 10% 误差	11.3kg
Electro lock / 电子锁规格	
Voltage rating / 额定电压	12V DC
Puissance rating / 额定功率	32W
Running Current / 启动电流	2.7 A
Temperature SensorPT1000 / 铂热电阻	
PT1000 Resistance R (0 °C)	1000 Ω
电阻抵抗值	
Resistance R2 & R3 R2 R3 电阻值	1000 Ω±3%
Flammability of the material 材料阻燃等级	V0

Edition : 1701

Design changes may be in order to improve the product / 可以改变设计方案以提高完善产品

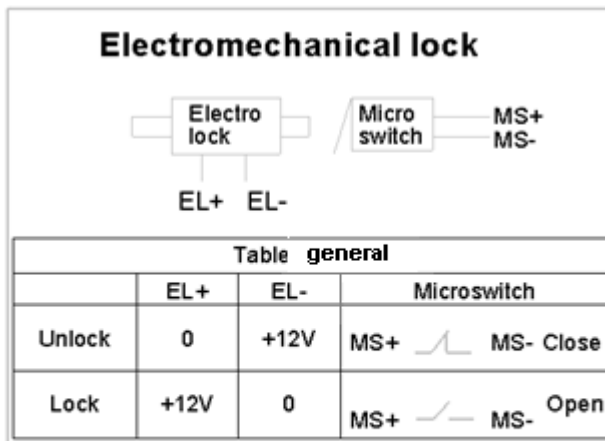
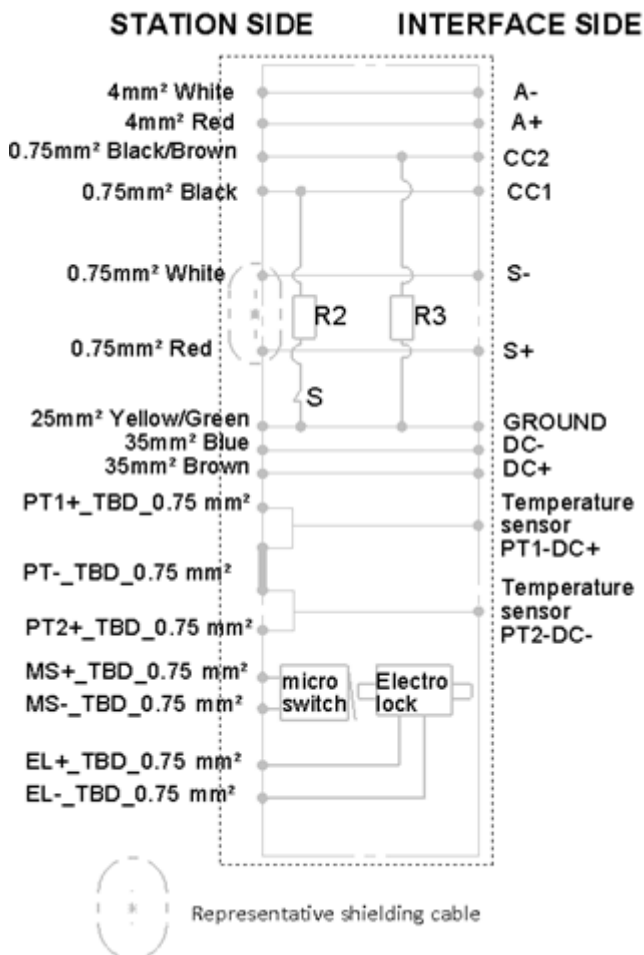
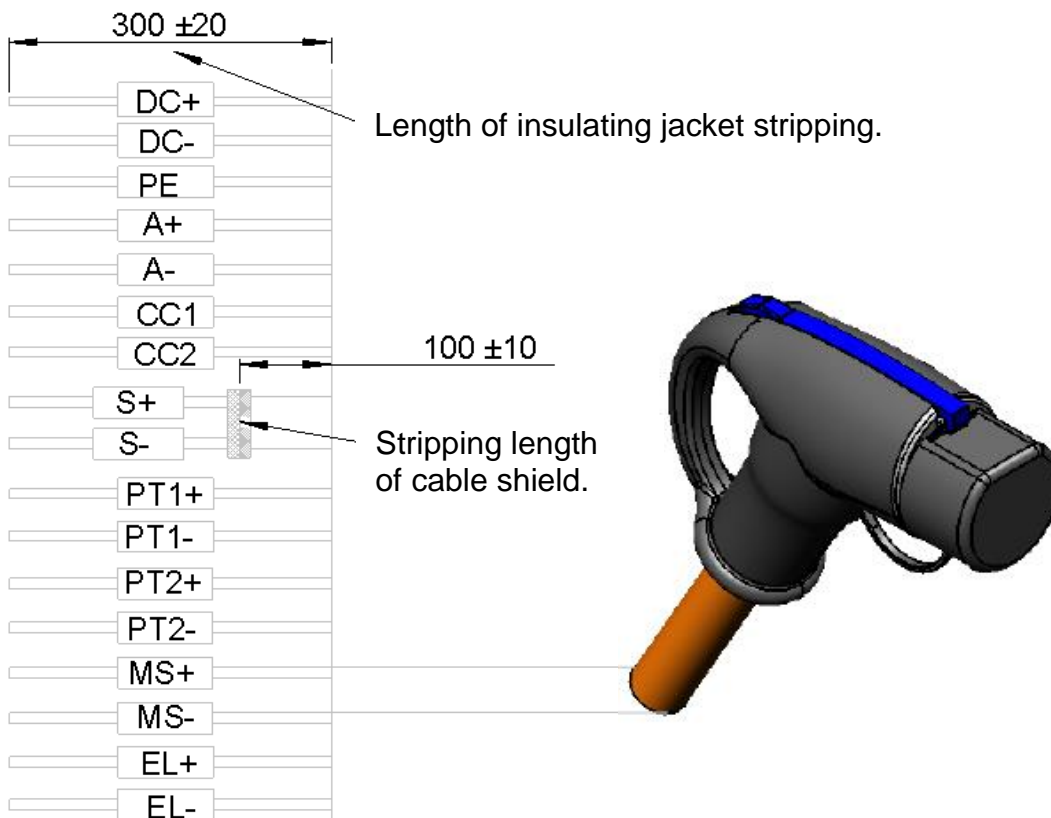


GB/T DC VEHICLE CONNECTOR 125A

EVG1M

GB/T 直流电动汽车充电枪/车辆插口 125A

Series : EV



GB/T DC VEHICLE CONNECTOR 125A**EVG1M**

GB/T 直流电动汽车充电枪/车辆插口 125A

Series : EV

Emergency unlock

Unlock :

1. The hole 1 is special for emergency lock.

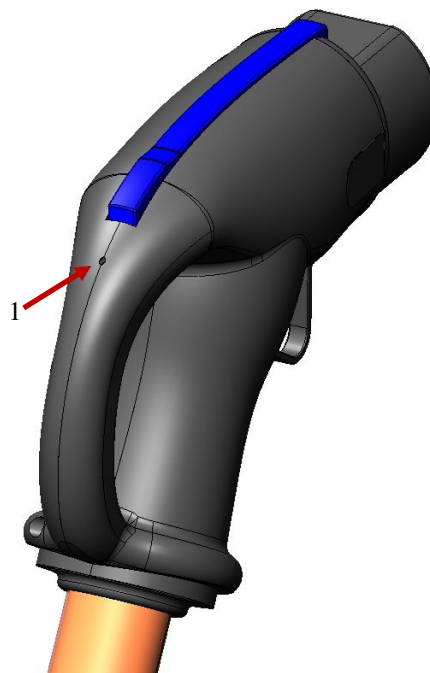
孔一为应急解锁孔

2. Insert the release lever slowly into the reserved emergency unlock function hole.

将解锁杆缓慢插入预留应急解锁功能孔

3. Push the lever forward in the direction of the plug to retract the electromagnetic lock lever.

往插头方向轻轻前拨，使电磁锁杆回退

**Options**

For the length of the cable, 4m, 5m and 6.3m are possible.

4 米，5 米或者 6.3 米长电缆可供选择

Contact our sales office for :

- Other cable's length
- Lock & shells color customization

请和销售部门联系:

- 其他长度线缆要求
- 开关锁和外壳颜色可根据客户要求定制

Packaging

One bubble wrap per DC VEHICLE CONNECTOR.

单件产品会使用外包装气泡膜来包装运输

10 DC Vehicle Connector per cardboard (1200mm*800mm*600mm).

每 10 件产品则由纸板箱(1200mm*800mm*600mm)包装运输

Labeling

Standard RAYDIALL label with the part reference and the number of pieces per cardboard.

每件纸板包装产品带有标准的 RAYDIALL 标签并标有产品数目