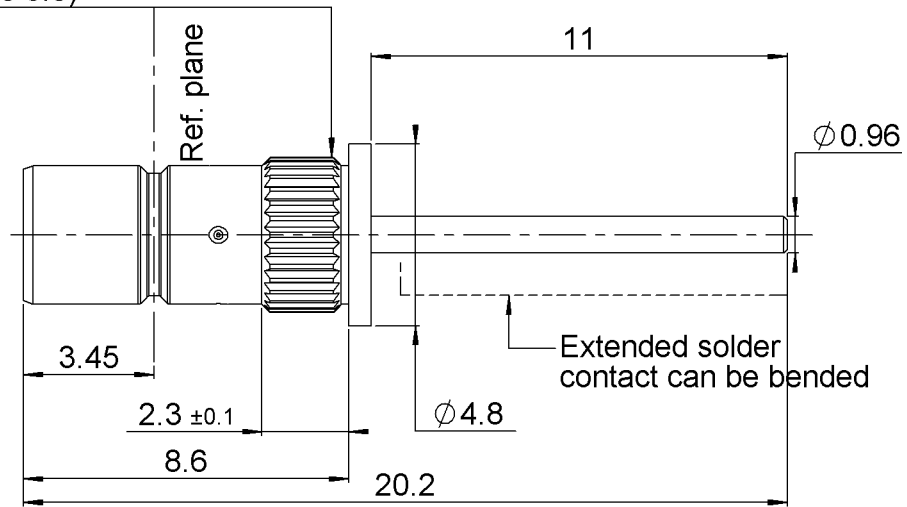


STRAIGHT PRESS IN RECEPTACLE
REAR MOUNT - WITH CYLINDRICAL CONTACT

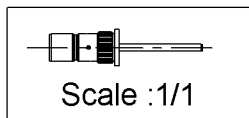
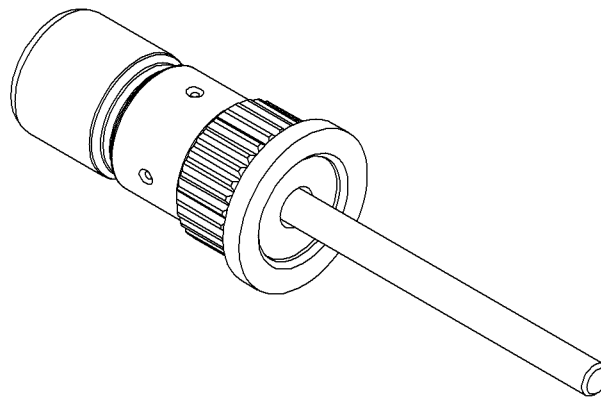
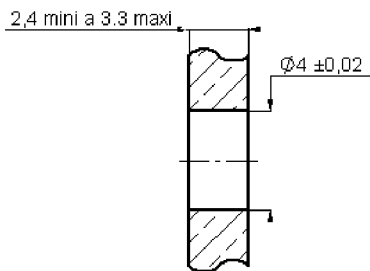
R114.505.235

Series : **SMB**

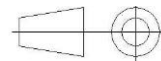
◆ $\phi 4.1 \pm 0.02$ / straight knurled pitch 0.5
 (/moletage droit pas 0.5)



PANEL PIERCING



All dimensions are in mm.



COMPONENTS	MATERIALS	PLATING (μm)
BODY	BRASS	NICKEL 5 OVER COPPER 2
CENTER CONTACT	BRASS	GOLD 0.15 OVER NICKEL 2 OVER COPPER 1
OUTER CONTACT	-	-
INSULATOR	PTFE	-
GASKET	-	-
OTHERS PARTS	-	-
-	-	-
-	-	-

Issue : 1728 B

In the effort to improve our products, we reserve the right to make changes judged to be necessary.

STRAIGHT PRESS IN RECEPTACLE
REAR MOUNT - WITH CYLINDRICAL CONTACT

R114.505.235

Series : **SMB**

PACKAGING

SPECIFICATION

Standard	Unit	Other
2x500**	-	Contact us

ELECTRICAL CHARACTERISTICS

ENVIRONMENTAL

Impedance	50	Ω
Frequency	0-4	GHz
VSWR	1.05* + 0,0080	x F(GHz) Maxi
Insertion loss	0.03*	$\sqrt{F(GHz)}$ dB Maxi
RF leakage	- (57)	- F(GHz) dB Maxi
Voltage rating	500	Veff Maxi
Dielectric withstanding voltage	1000	Veff mini
Insulation resistance	1000	M Ω mini

Operating temperature	-65/+165	$^{\circ}$ C
Hermetic seal	NA	Atm.cm3/s
Panel leakage	NA	

OTHER CHARACTERISTICS

Assembly instruction **NA**

Others :

*Coaxial Transmission Line Only

**Packaging into a cardboard box with two
 Plastic bags of five hundred parts

MECHANICAL CHARACTERISTICS

Center contact retention		
Axial force – Mating end	10	N mini
Axial force – Opposite end	10	N mini
Torque	NA	N.cm mini
Recommended torque		
Mating	NA	N.cm
Panel nut	NA	N.cm
Mating life	100	Cycles mini
Weight	0,5200	g

Issue : 1728 B

In the effort to improve our products, we reserve the right to make changes judged to be necessary.